

Product Catalogue



About Stressfree Marine

Stressfree Marine is Australia's premier winch and marine equipment manufacturer. We specialize in building anchor winches, trailer winches, heavy duty pot haulers, and purpose built equipment to suit the harsh marine environment, using premium materials for faster, safer and more reliable operations.

We are recognized nationally and globally as a premium winch manufacturer. We are proud to partner with a range of boat builders, dealers and distributors to deliver the ultimate boating experience.

All of Stressfree Marine's winches and equipment are engineered with the customer in mind – they are user friendly and comply with international standards to give you peace of mind.

The Stressfree Marine product range

- 🌀 Anchor Winches
- 🌀 Heavy Duty Pot Haulers + Lifters
- 🌀 Deep Sea Fishing Reels
- 🌀 Trailer Winches
- 🌀 Other fishing equipment
- 🌀 Custom built winches
(marine and non-marine applications)

Contact our head office to connect with one of our winch specialists, who will be able to identify the best Stressfree Marine winch and marine equipment to suit your needs.

Australia: **08 8382 5283**
International: **+61 8 8382 5283**





Stressfree Marine prides itself on delivering

- A high quality product
- Designed and created by skilled in-house engineers, with over 25 years' experience.
- 20 years of testing on existing gear boxes and motors
- All gear boxes are keyed in the centre, providing three times the load rating of many other winches on the market
- Grease impregnated acetyl bush for superior performance – removing the traditional issues of other winches, of bearings seizing due to salt water exposure
- Built in safety switch – reduces the risk of accidents when operating
- Automated technology to tie off at anchor
- Satin finish 316L marine grade stainless steel finish. Proven to avoid the deterioration that comes from inferior winches on the market.
- Double anodized coating on all Quick gearboxes (only winch on the market with double anodized gearbox).
- Safety and reliability - adhering to industry standards. All products load tested in-house with accredited load cell from weights and measures Australia.
- A world class patented freefall system, delivering exclusive tested and proven technology for optimum winch usage
- Speed of use, through our freefall technology delivering faster response times compared many other winches on the market
- Precision Anchoring, using intuitive technology to gauge the amount of rope/ chain to be deployed, avoiding human error
- Dual functionality allowing operation with and without power. This specifically adheres to existing Australian laws requiring all boats to carry a deployable anchor and removes the need for boat owners to carry spare anchor, rope and chain
- A user friendly experience, with equipment that has been developed by boat operators and is easy to use regardless of the weather
- Extremely knowledgeable sales staff and customer service
- The option to create custom winches to suit any boat
- 5-year warranty for recreational users

Index of Products

Freefall Winches

1. NG Mini 50 Freefall
2. NG Mini 50 Freefall EW
3. NG Midi 50 Freefall
4. NG Maxi Freefall
5. NG Mighty Freefall

Standard Winches

6. Mini Me Standard
7. Mini 50 Standard
8. Mini 50 Standard EW
9. Midi 50 Standard
10. Maxi Standard
11. Mighty Standard

Custom and Other Products

12. Custom Anchor Winches
13. Long Line Winch
14. Trailer Winches
15. Heavy Duty Pot Hauler
16. Pot Lifter
17. Deep Sea Fishing Reel
18. Custom Products
19. Accessories
 - a. Rope and Chain Guides
 - b. Anchor Rollers
 - c. Hawse Pipes
 - d. Anchor Swivel
 - e. Wiring Looms
 - f. Rope Kits
 - g. Chain Guards

All of Stressfree Marine's winches and equipment are engineered with the customer in mind

Stressfree Winch Table

Product	Product selection guide	Motor power with High Torque	Voltage	Gearbox	Shaft size	Baseplate	Diameter Drum	Line Speed Max	Emergency Manual override	Winch Weight
Mini Me	Boats to 18ft or 5.5m Max boat weight 1.5 ton	300watt	12v	405	0.71" / 18mm	0.16" / 4mm pressed	7.84" / 200mm	138 feet per min. / 42 meters per min.	✓	26.45lbs / 12kg
NG Mini 50 Freefall or Mini 50 Standard	Boats 13.5ft – 26ft or 4 – 8m Max boat weight 2.5 tons	500watt	12v	505	0.98" / 25mm	0.31" / 8mm pressed	9.84" / 250mm	170 feet per min. / 52 meters per min.	✓	48.50lbs / 20kgs
NG Mini 50 Freefall Ew or Mini 50 Standard Ew	Boats 13.5ft – 26ft or 4 – 8m Max boat weight 2.5 tons	500watt	12v	505	0.98" / 25mm	0.31" / 8mm pressed	9.05" / 230mm	170 feet per min. / 52 meters per min.	✓	48.50 / 20kgs
NG Midi 50 Freefall or Midi 50 Standard	Boats 13.5ft – 26ft or 4 – 8m Max boat weight 2.5 tons	1400watt Motor with Cover and 5m Cable	12v	505	0.98" / 25mm	0.31" / 8mm pressed	11.81" / 300mm	243 feet per min. / 74 meters per min.	✓	64 lbs / 29kgs
NG Maxi Freefall or Maxi Standard	Boats 19.5ft – 40ft or 6 – 12m Max boat weight 5 tons	1400watt Motor with Cover and 5m Cable	12v	635	1.25" / 32mm	0.31" / 8mm welded	11.81" / 300mm	243 feet per min. / 74 meters per min.	✓	88.18 lbs / 40kgs
NG Mighty Freefall or Mighty Standard	Boats 19.5ft – 40ft or 6 – 12m Max boat weight 5 tons	1700watt	12v or 24v	635	1.25" / 32mm	0.31" / 8mm welded	15.75" / 400mm	326 feet per min. / 99.5 meters per min.	✓	97lbs / 46kgs
NG Mighty Freefall Ew	Boats 19.5ft – 40ft or 6 – 12m Max boat weight 5 tons	1700 watt	12/24v	635	According to specs	up to 0.47" / 12mm welded	15.75" / 400mm	326 feet per min. / 99.5 meters per min.	✓	106lbs / 47kgs
Mighty Ew With Double Reduction Gearbox	Boats 19.5ft – 40ft or 6 – 12m Max boat weight 5 tons	1700 watt	12/24v	Double reduction - gearbox will vary according to specs of the boat.	According to specs	up to 0.47" / 12mm welded	15.75" / 400mm	326 feet per min. / 99.5 meters per min.	✓	Weight will be determined according to specs
Custom Option – Winch Built to Individual Specs	Boats 32ft – 98ft or 10m – 30m	2300 watt	12/24v	Double reduction	According to specs	0.47" / 12mm welded	According to specs	Depending on diameter of drum	✓	Weight will be determined according to specs

Stressfree NG Mini 50 Freefall

Suitable for boats: 13.5ft – 26ft / 4 – 8m
Maximum boat weight: 2.5 tons

The Stressfree NG Mini 50 Freefall winch is strong, robust and super-fast and has a patented freefall of up to 5 times faster than competing winches.

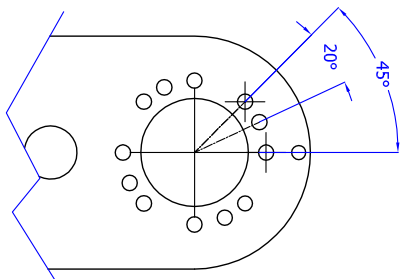
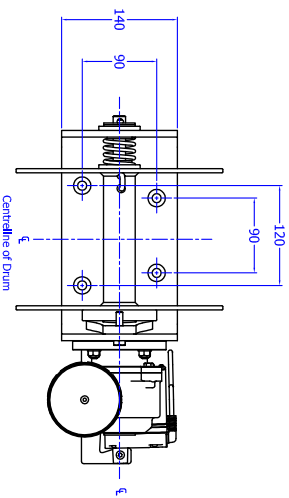
Product	Line Speed Max
NG Mini 50 Freefall	170 feet p/m / 52m per minute
Baseplate	Diameter Drum
0.31" / 8mm pressed	9.84" / 250mm
Voltage	Gearbox
12v	50S
Motor power with High Torque	Emergency Manual Override
500watt	√
Shaft size	Winch Weight
0.98" / 25mm	48.50lbs / 20kgs



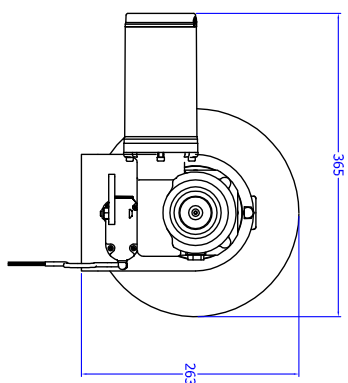
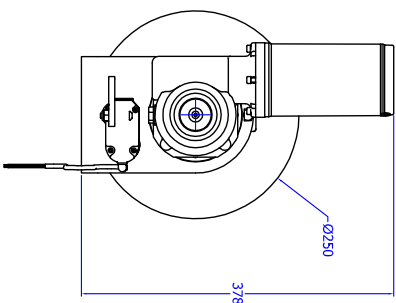
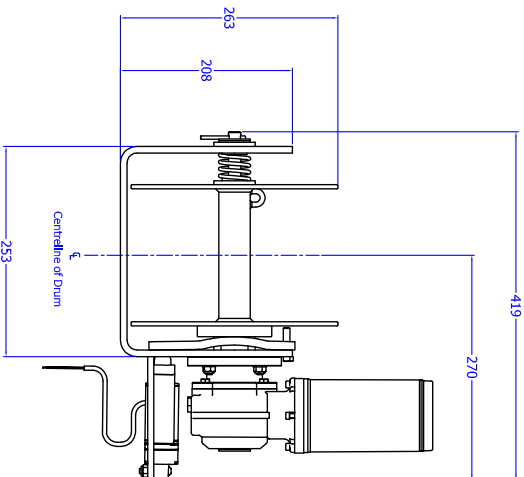
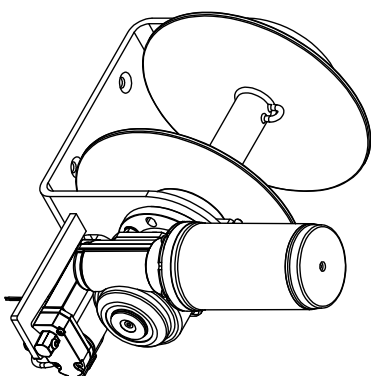
The Stressfree NG Mini 50 Freefall anchor winch also features:

- Adaptable fit and varied mounting options, with the ability to reset the gearbox and motor assembly in 8 different configurations to best suit your anchor well
- Optional deck mounting
- One-touch precision anchoring for fast deployment and minimal drift to make anchoring a breeze
- All rope and chain is spooled on and off the drum
- Premium quality Italian motor and gearbox
- Waterproof 80amp circuit breaker with thermal overload cut-out
- 50 series double anodised gearbox to prevent corrosion
- Solid stainless steel drive shaft
- Grease impregnated acetyl bush for superior performance
- Constructed from 316 L grade marine stainless steel
- Optional Pro-series guards upgrade
- Optional waterproof wireless remote
- 5-year warranty
- **Drum capacity options:**
 - o 70 m of 8mm nylon spliced with 6 meters of short link chain
 - o 80 meters of 6mm double braid eye spliced to 5 meters of 8mm nylon spliced to 6 meters of 6mm short link chain

**Recommend dual batteries with the battery switch set to BOTH*



The gearbox mounting holes in the mounting bracket allow the motor and drive to be installed at 4 angles to suit different anchor well configurations. Another 8 adjustment angles are available at 20° and 45° from each of the basic 4 mounting holes.



© COPYRIGHT 2017
Stressfree Marine Pty.Ltd.

		TOLERANCES		SCALE		MATERIAL		FINISH		DO NOT SCALE		DRAWING No.	
		Unless otherwise stated		Drawn R/R		316 Stainless Steel		Satin		DIMENSIONS IN MILLIMETRES		UNLESS OTHERWISE STATED	
3	revise to remove Motor/Gearbox spacer	20.4.17	NO DEC. ±	Checked		stressfree marine Pty Ltd ®	NAME	NG Mini 50 Freefall	DRAWING No.	TBA	UNLESS OTHERWISE STATED		
2	revise to show 8mm thick Mounting Plate	26.4.16	1 DEC. Pl. ±	Design OK									
1	revise to show manual over ride.	17.4.15	2 DEC. Pl. ±	Approved									
Issue	Ref.	REVISION	Drawn	Apprv.	Date	ANGLES ±	DATE	2/05/08					

Stressfree NG Mini 50 Freefall EW (Extra Wide)

Suitable for boats: 13.5ft – 26ft / 4 – 8m
(with a maximum boat weight 2.5 tons)
Maximum boat weight: 2.5 tons

The Stressfree NG Mini 50 Freefall EW is designed to suit shallow anchor wells. This Stressfree Marine winch is strong, robust and super-fast, and has a patented freefall of up to 5 times faster than competing winches.

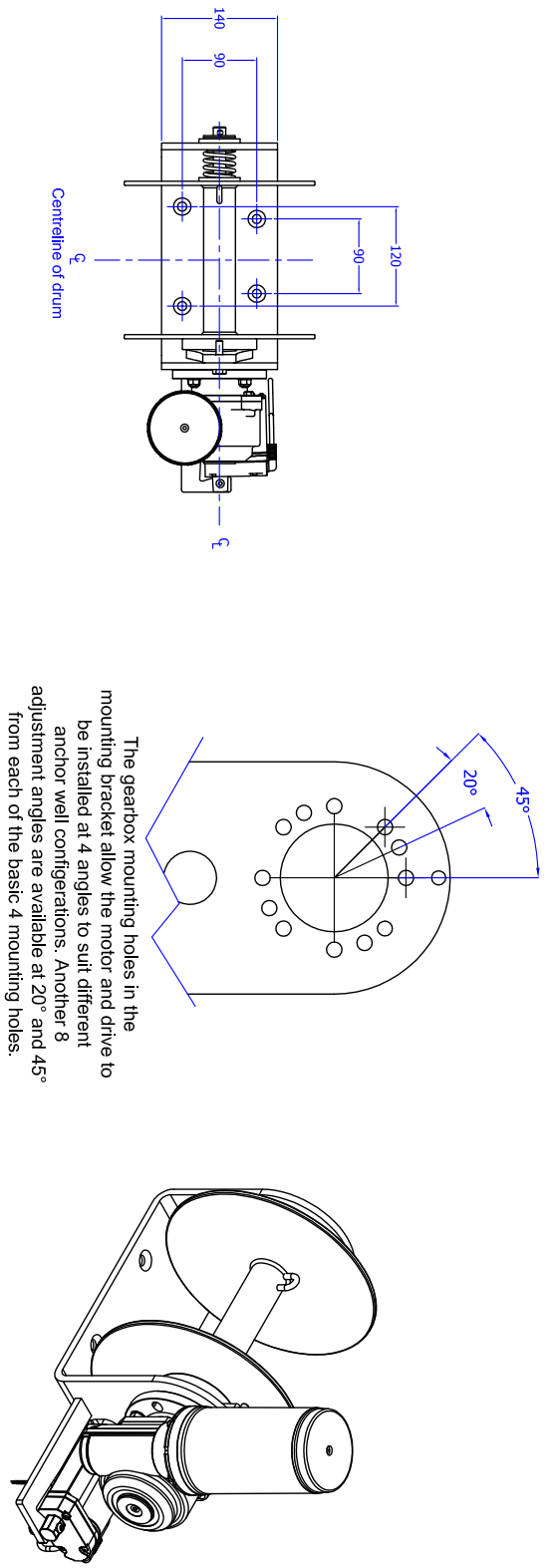
Product	Line Speed Max
NG Mini 50 Freefall EW	170 feet p/m / 52m per minute
Baseplate	Diameter Drum
0.31" / 8mm pressed	9.05" / 230mm
Voltage	Gearbox
12v	50S
Motor power with High Torque	Emergency Manual Override
500watt	√
Shaft size	Winch Weight
0.98" / 25mm	48.50lbs / 20kgs



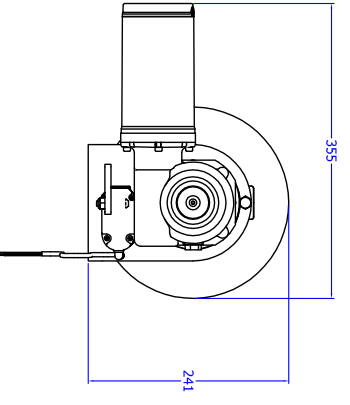
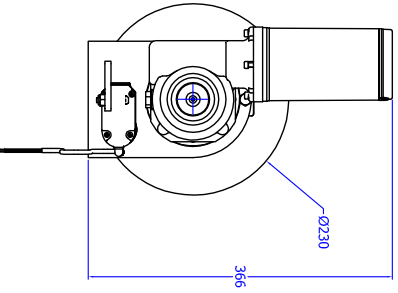
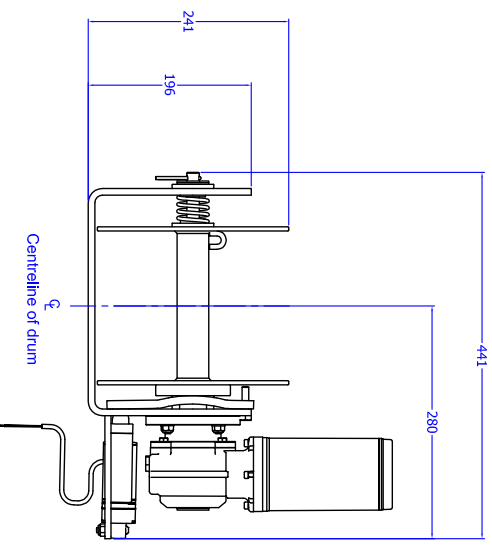
The Stressfree NG Mini 50 Freefall EW anchor winch also features:

- Adaptable fit and varied mounting options, with the ability to reset the gearbox and motor assembly in 8 different configurations to best suit your anchor well
- Optional deck mounting
- One-touch precision anchoring for fast deployment and minimal drift to make anchoring a breeze
- All rope and chain is spooled on and off the drum
- Premium quality Italian motor and gearbox
- Waterproof 80amp circuit breaker with thermal overload cut-out
- 50 series double anodised gearbox to prevent corrosion
- Solid stainless steel drive shaft
- Grease impregnated acetyl bush for superior performance
- Constructed from 316 L grade marine stainless steel
- Optional Pro-series guards upgrade
- Optional waterproof wireless remote
- 5-year warranty
- **Drum capacity options:**
 - o 70 m of 8mm nylon spliced with 6 meters of short link chain
 - o 80 meters of 6mm double braid eye spliced to 5 meters of 8mm nylon spliced to 6 meters of 6mm short link chain

**Recommend dual batteries with the battery switch set to BOTH*



The gearbox mounting holes in the mounting bracket allow the motor and drive to be installed at 4 angles to suit different anchor well configurations. Another 8 adjustment angles are available at 20° and 45° from each of the basic 4 mounting holes.



© COPYRIGHT 2017
Stressfree Marine Pty.Ltd.

TOLERANCES		SCALE		MATERIAL		FINISH		DO NOT SCALE	
Unless otherwise stated		Drawn R/R		316 Stainless Steel		Satin		DIMENSIONS IN MILLIMETRES	
UNLESS OTHERWISE STATED		CHECKED		stressfree marine Pty Ltd®		NAME		UNLESS OTHERWISE STATED	
NO DEC. ±		DESIGN OK		NG Mini 50 Freerfall EW		DRAWING No.		TBA	
1 DEC. PL. ±		APPROVED							
2 DEC. PL. ±		DATE							
HOLE DIM. ±		2/05/08							
ANGLES ±									
REVISION		DATE							
1 revise to show manual over ride.		17.4.15							
2 revise to show 8mm thick Mounting Plate		24.5.16							
3 revise to remove motor/gearbox adaptor		23/4/17							
Issue Ref.		Drawn							
		Apprv.							

Stressfree NG Midi 50 Freefall

Suitable for boats: 13.5ft – 26ft / 4 – 8m
Maximum boat weight: 2.5 tons

The Stressfree NG Midi 50 Freefall winch is strong, robust and super-fast, and has a patented freefall of up to 5 times faster than competing winches.

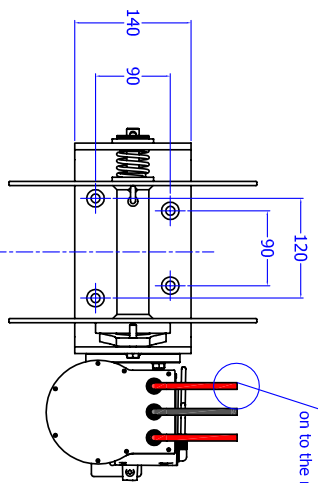
Product	Line Speed Max
NG Midi 50 Freefall	243 feet per min. / 74 meters per min.
Baseplate	Diameter Drum
0.31" / 8mm pressed	11.81" / 300mm
Voltage	Gearbox
12v	50S
Motor power with High Torque	Emergency Manual Override
1400watt	√
Shaft size	Winch Weight
0.98" / 25mm	64lbs / 29kgs

The Stressfree NG Midi 50 Freefall anchor winch also features:

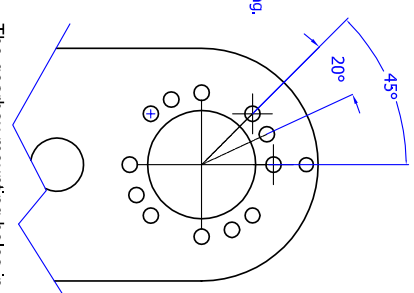
- Adaptable fit and varied mounting options, with the ability to reset the gearbox and motor assembly in 8 different configurations to best suit your anchor well
 - Optional deck mounting
 - One-touch precision anchoring for fast deployment and minimal drift to make anchoring a breeze
 - All rope and chain is spooled on and off the drum
 - Premium quality Italian motor and gearbox
 - Waterproof 135amp circuit breaker with thermal overload cut-out
 - 50 series double anodised gearbox to prevent corrosion
 - 1400watt Motor with Cover, sealed with 5 meters of cable
 - Solid stainless steel drive shaft
 - Grease impregnated acetyl bush for superior performance
 - Constructed from 316 L grade marine stainless steel
 - Optional Pro-series guards upgrade
 - Optional waterproof wireless remote
 - 5-year warranty
- **Drum capacity options:**
- o 90 m of 8mm nylon spliced with 8 meters of short link chain
 - o 160 meters of 6mm double braid eye spliced to 5 meters of 8mm nylon spliced to 8 meters of 8mm short link chain

**Recommend dual batteries with the battery switch set to BOTH*

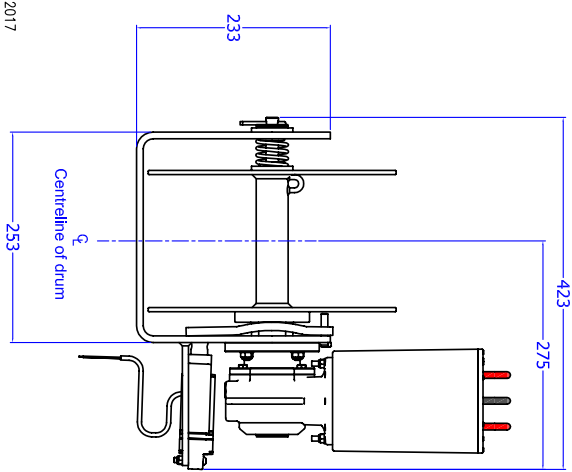
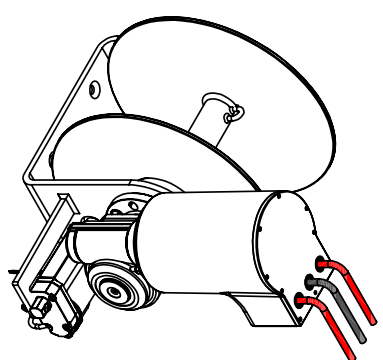




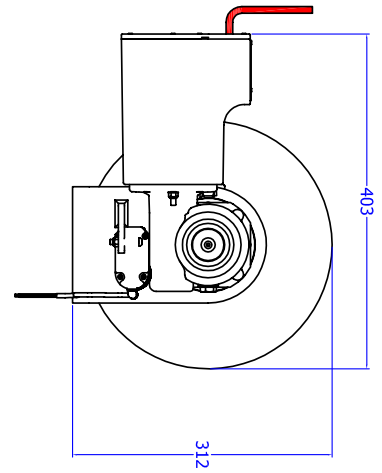
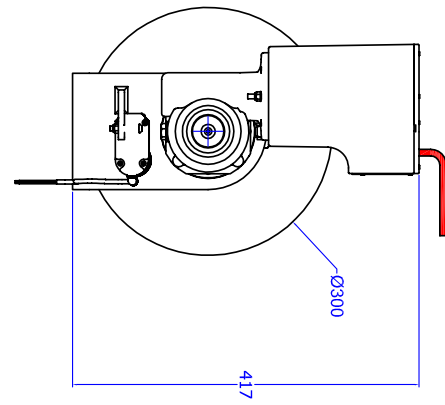
Centreline of drum



The gearbox mounting holes in the mounting bracket allow the motor and drive to be installed at 4 angles to suit different anchor well configurations. Another 8 adjustment angles are available at 20° and 45° from each of the basic 4 mounting holes.



Centreline of drum



© COPYRIGHT 2017
Stressfree Marine Pty.Ltd.

		TOLERANCES		SCALE		MATERIAL	
		Unless otherwise stated		Drawn		316 Stainless Steel	
		NO DEC. ±		Checked		FINISH	
		1 DEC. PL. ±		Design OK		Satin	
		2 DEC. PL. ±		Approved		DO NOT SCALE	
		HOLE DIM. ±		DATE		DIMENSIONS IN MILLIMETRES	
		ANGLES ±		2/05/08		UNLESS OTHERWISE STATED	
Issue		REVISION		Drawn		NAME	
1		revised to include motor cover		Apprv.		NG Midi 50 Freefall	
2		revised to show 6mm thick Mounting Plate		Date		DRAWING No.	
1				30.4.16		TBA	
1							

Stressfree NG Maxi Freefall

Suitable for boats: 19.5ft – 40ft / 6 – 12m
Maximum boat weight: 5 tons

The Stressfree NG Maxi Freefall winch is strong, robust and super-fast, and has a patented freefall of up to 5 times faster than competing winches.

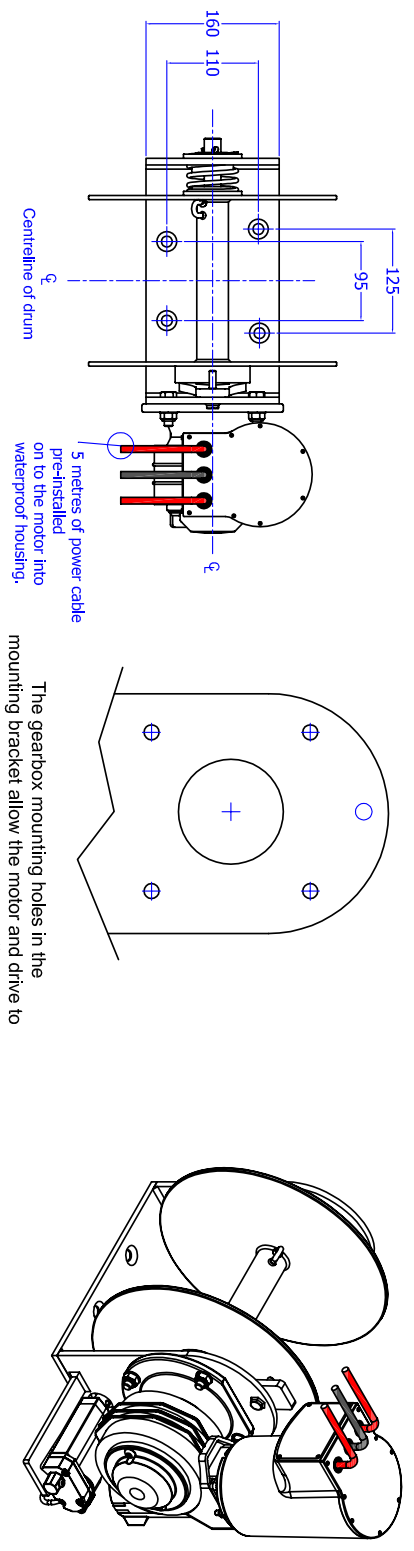
Product	Line Speed Max
NG Maxi Freefall	243 feet per min. / 74 meters per min.
Baseplate	Diameter Drum
0.31" / 8mm welded	11.81" / 300mm
Voltage	Gearbox
12v	63S
Motor power with High Torque	Emergency Manual Override
1400watt	√
Shaft size	Winch Weight
1.25" / 32mm	88.18lbs / 40kgs



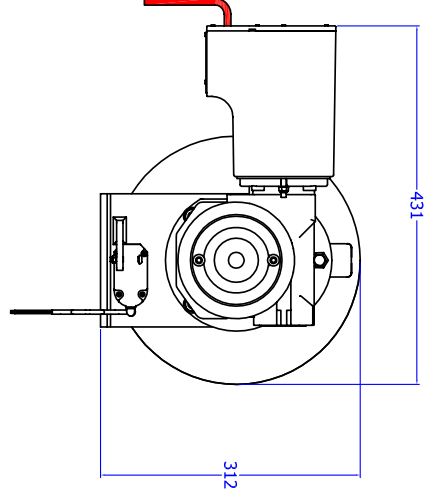
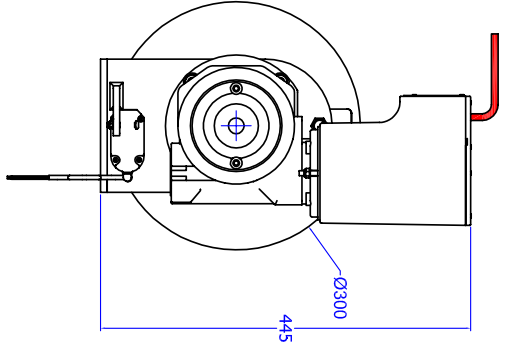
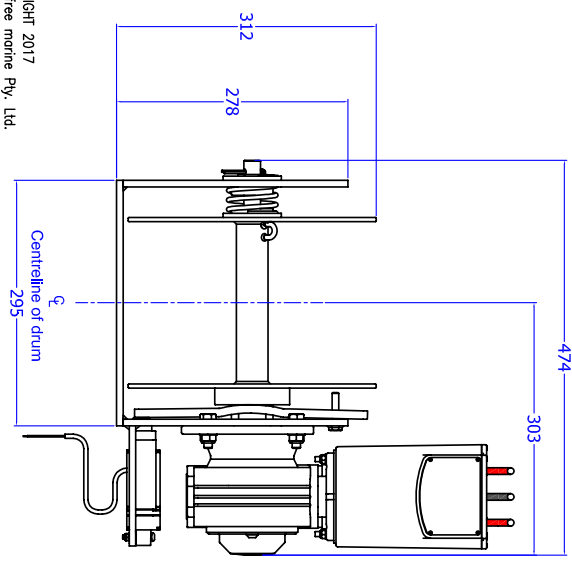
The Stressfree NG Maxi Freefall anchor winch also features:

- Adaptable fit and varied mounting options, with the ability to reset the gearbox and motor assembly in 8 different configurations to best suit your anchor well
- Optional deck mounting
- One-touch precision anchoring for fast deployment and minimal drift to make anchoring a breeze
- All rope and chain is spooled on and off the drum
- Premium quality Italian motor and gearbox
- Waterproof 135amp circuit breaker with thermal overload cut-out
- 63 series gearbox
- 1400watt Motor with Cover, sealed with 5 meters of cable
- Solid stainless steel drive shaft
- Grease impregnated acetyl bush for superior performance
- Constructed from 316 L grade marine stainless steel
- Optional Pro-series guards upgrade
- Optional waterproof wireless remote
- 5-year warranty
- **Drum capacity options:**
 - o 85m of 10mm nylon spliced to 8m of 8mm short link chain
 - o 100m of 8mm double braid eye spliced to 5m of 10mm nylon spliced to 8m of 8mm short link chain

**Recommend dual batteries with the battery switch set to BOTH*



The gearbox mounting holes in the mounting bracket allow the motor and drive to be installed at 4 angles to suit different anchor well configurations. Another 8 minor angle adjustments are available between the gearbox and gearbox flange.



© COPYRIGHT 2017
Stressfree marine Pty. Ltd.

		TOLERANCES Unless otherwise stated		SCALE		MATERIAL		FINISH		DO NOT SCALE DIMENSIONS IN MILLIMETRES UNLESS OTHERWISE STATED		DRAWING NO.	
Issue	Rev.	Drawn	Appr.	Date	ANGLES ±	NO DEC. ±	1 DEC. PL. ±	2 DEC. PL. ±	DATE	316 Stainless Steel	Linished	NG Maxi Freefall	SF02100
4				18/4/17		NO DEC. ±	1 DEC. PL. ±	2 DEC. PL. ±	13/04/15	316 Stainless Steel	Linished	NG Maxi Freefall	SF02100
3				28/4/15		NO DEC. ±	1 DEC. PL. ±	2 DEC. PL. ±	13/04/15	316 Stainless Steel	Linished	NG Maxi Freefall	SF02100
2				13/04/15		NO DEC. ±	1 DEC. PL. ±	2 DEC. PL. ±	13/04/15	316 Stainless Steel	Linished	NG Maxi Freefall	SF02100
						NO DEC. ±	1 DEC. PL. ±	2 DEC. PL. ±	13/04/15	316 Stainless Steel	Linished	NG Maxi Freefall	SF02100

Stressfree NG Mighty Freefall

Suitable for boats: 19.5ft – 40ft / 6 – 12m

Maximum boat weight: 5 tons

The Stressfree NG Mighty Freefall winch is strong, robust and super-fast, and has a patented freefall of up to 5 times faster than competing winches.

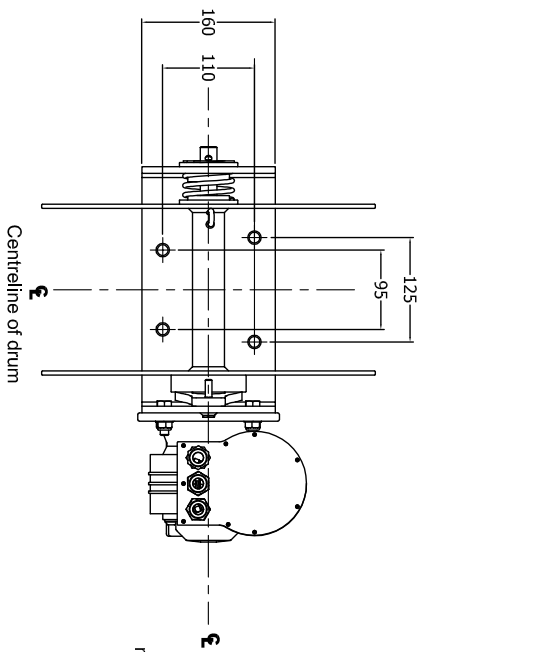
Product	Line Speed Max
NG Mighty Freefall	326 feet per min. / 99.5 meters per min.
Baseplate	Diameter Drum
0.31" / 8mm welded	15.75" / 400mm
Voltage	Gearbox
12v or 24v	63S
Motor power with High Torque	Emergency Manual Override
1700watt	√
Shaft size	Winch Weight
1.25" / 32mm	97lbs or 46kgs



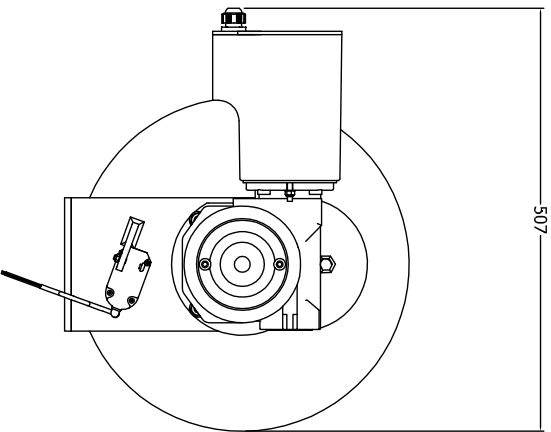
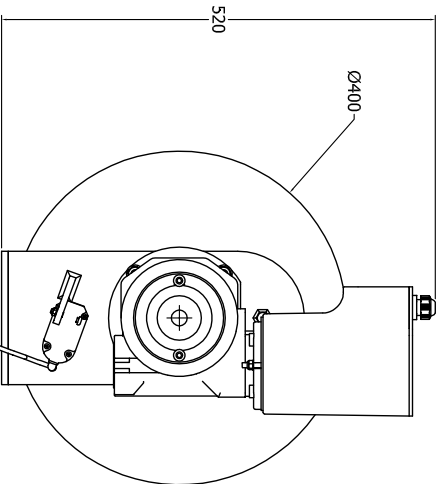
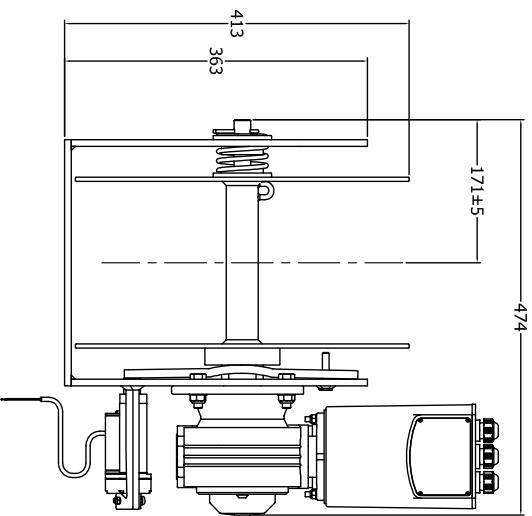
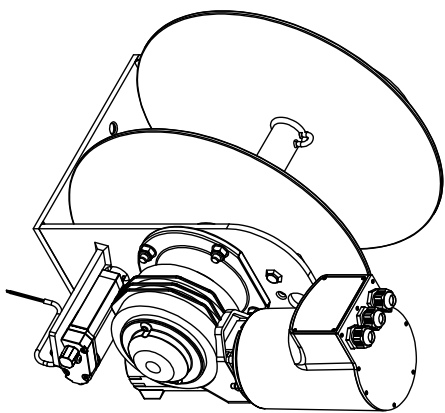
The Stressfree NG Mighty Freefall anchor winch also features:

- Adaptable fit and varied mounting options, with the ability to reset the gearbox and motor assembly in 8 different configurations to best suit your anchor well
- Optional deck mounting
- One-touch precision anchoring for fast deployment and minimal drift to make anchoring a breeze
- All rope and chain is spooled on and off the drum
- Premium quality Italian motor and gearbox
- Waterproof 135amp circuit breaker with thermal overload cut-out
 - 63 series gearbox
- Solid stainless steel drive shaft
- Grease impregnated acetyl bush for superior performance
- Constructed from 316 L grade marine stainless steel
 - Optional Pro-series guards upgrade
 - Optional waterproof wireless remote
 - 5-year warranty
- **Drum capacity options:**
 - o 165m of 8mm double braid eye spliced to 5m nylon spliced to 8m of 8mm short link chain
 - o 130m of 10mm nylon spliced to 8 meters of 8mm short link chain
 - o 100m of 12mm nylon spliced to 8 meters of 8mm short link chain

**Recommend dual batteries with the battery switch set to BOTH*



The gearbox mounting holes in the mounting bracket allow the motor and drive to be installed at 4 angles to suit different anchor well configurations. Another 8 minor angle adjustments are available between the gearbox and gearbox flange.



© COPYRIGHT 2008
Stressfree Marine Pty. Ltd.

TOLERANCES
Unless otherwise stated

SCALE
DRAWN
CHECKED
DESIGN OK
APPROVED

MATERIAL
316 Stainless Steel

FINISH
Chemically
Polished

DO NOT SCALE
DIMENSIONS IN MILLIMETRES
UNLESS OTHERWISE STATED



Issue	Ref.	REVISION	Drawn	Apprv.	Date
3		Revise to Motor terminal reversed			28.4.15
2		Revise to Motor vertical			19.4.15
1					

NO DEC.	1 DEC.	2 DEC.	PL.	PL.	HOLE DIA.	ANGLES

DATE	DATE	DATE
23/08/08		

stressfree marine Pty Ltd[®]

NG Mighty Anchor Winch

DRAWING No.
SF02117

Stressfree Mini Me Standard

Suitable for boats: up to 18.5ft / 5.5m

Maximum boat weight: 1.5 tons

The Mini Me Standard winch is strong, robust and extremely fast.

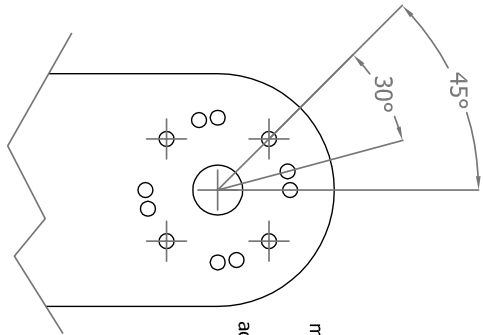
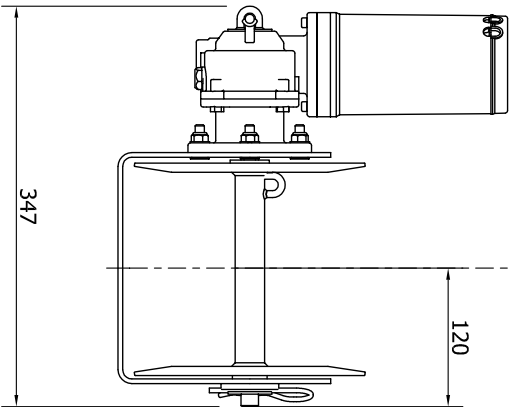
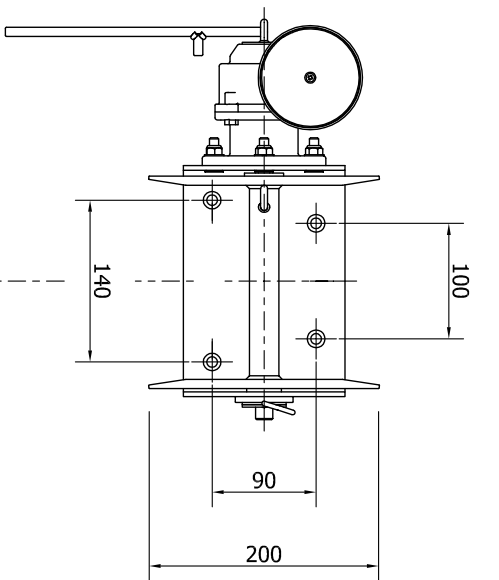
Product	Line Speed Max
Mini Me Standard	138 feet per min. / 42 meters per min
Baseplate	Diameter Drum
4mm pressed	200mm or 7.84"
Voltage	Gearbox
12v	40S
Motor power with High Torque	Emergency Manual Override
300watt	√
Shaft size	Winch Weight
18mm or 0.71"	26.45lbs or 12kg

The Mini Me Standard anchor winch also features:

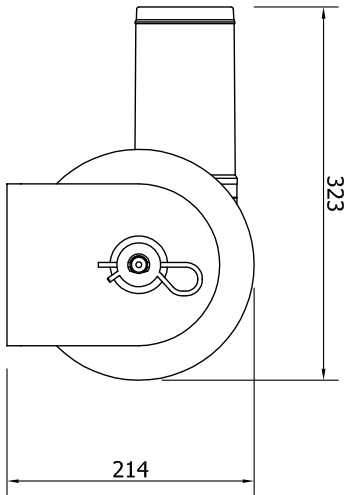
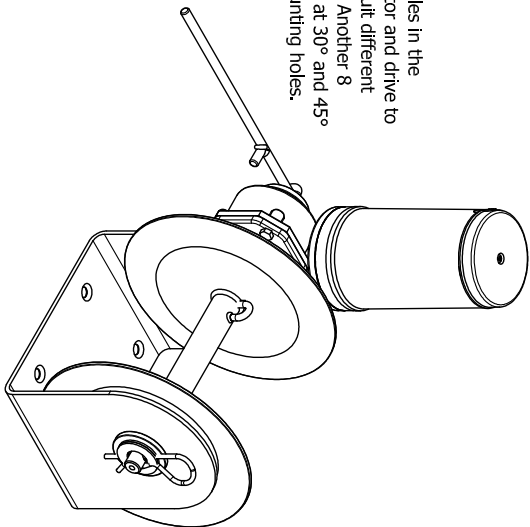
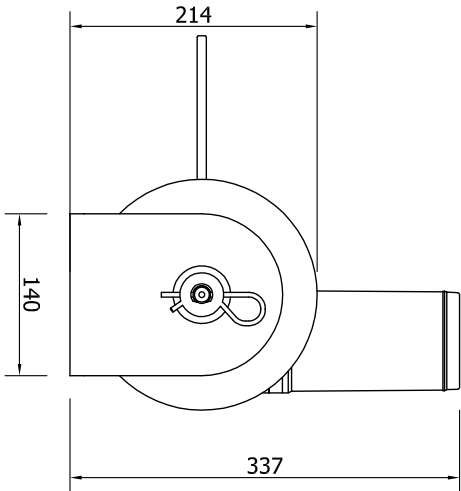
- Adaptable fit and varied mounting options, with the ability to reset the gearbox and motor assembly in 8 different configurations to best suit your anchor well
- Optional deck mounting
- Premium quality Italian motor and gearbox
- Waterproof 80amp circuit breaker with thermal overload cut-out
- 40 series double anodised gearbox to prevent corrosion
- Solid stainless steel drive shaft
- Grease impregnated acetyl bush for superior performance
- Constructed from 316 L grade marine stainless steel
- All rope and chain is powered on and off the drum
- Optional waterproof wireless remote
- 5-year warranty
- **Drum capacity:**
60 meters of 6mm double braid eye spliced to 3 meters of 8mm nylon spliced to 4 meters of 6mm short link chain

**Recommend dual batteries with the battery switch set to BOTH*





The gearbox mounting holes in the mounting bracket allow the motor and drive to be installed at 8 angles to suit different anchor well configurations. Another 8 adjustment angles are available at 30° and 45° from each of the basic 8 mounting holes.



		TOLERANCES Unless otherwise stated		SCALE		MATERIAL		FINISH		DO NOT SCALE DIMENSIONS IN MILLIMETRES UNLESS OTHERWISE STATED		DRAWING No.
		NO DEC. ±		Drawn		316 Stainless Steel		Chemically Polished				SF02735
		1 DEC. PL. ±		Checked								
		2 DEC. PL. ±		Design OK								
		HOLE DIM. ±		Approved								
		ANGLES ±		DATE								
Issue	Ref.	Revised to show repositioned Mounting Holes		Drawn	Apprv.	Date						
2		REINSON				8/5/15						

stressfree marine Pty Ltd®

NAME
Mini Me Layout

DRAWING No.
SF02735

Stressfree Mini 50 Standard

Suitable for boats: up to 13.5ft – 26ft / 4-8m
Maximum boat weight: 2.5 tons

The Mini 50 Standard winch is strong, robust and extremely fast.

Product	Line Speed Max
Mini 50 Standard	170 feet per min. / 52 meters per min.
Baseplate	Diameter Drum
0.31" / 8mm pressed	9.84" / 250mm
Voltage	Gearbox
12v	50S
Motor power with High Torque	Emergency Manual Override
500watt	√
Shaft size	Winch Weight
0.98" / 25mm	48.50lbs / 18kgs

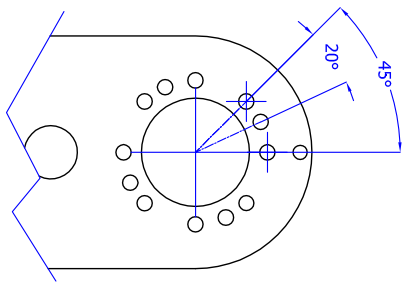
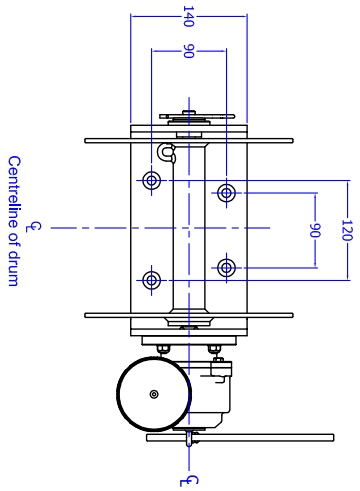
The Mini 50 Standard anchor winch also features:

- Adaptable fit and varied mounting options, with the ability to reset the gearbox and motor assembly in 8 different configurations to best suit your anchor well
- Optional deck mounting
- Premium quality Italian motor and gearbox
- Waterproof 80amp circuit breaker with thermal overload cut-out
- 50 series double anodised gearbox to prevent corrosion
- Solid stainless steel drive shaft
- Grease impregnated acetyl bush for superior performance
- Constructed from 316 L grade marine stainless steel
- All rope and chain is powered on and off the drum
- Optional Pro-series guards upgrade
- Optional waterproof wireless remote
- 5-year warranty

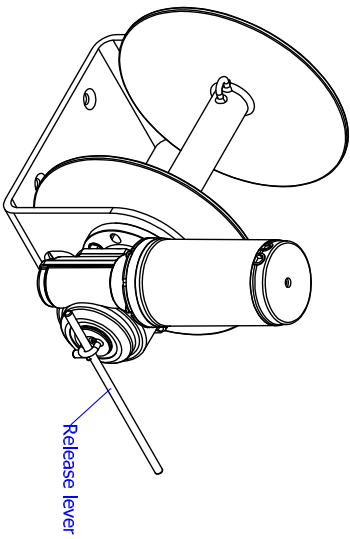
- **Drum capacity options:**
 - o 75m of 8mm nylon spliced to 6m of short link chain
 - o 100m of 6mm double braid eye spliced to 5m of 8mm nylon spliced to 6 meters of 6mm short link chain

**Recommend dual batteries with the battery switch set to BOTH*

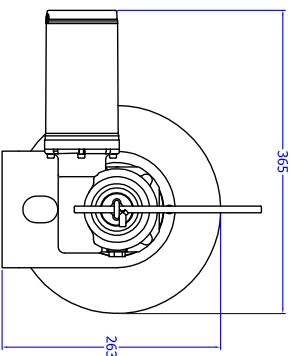
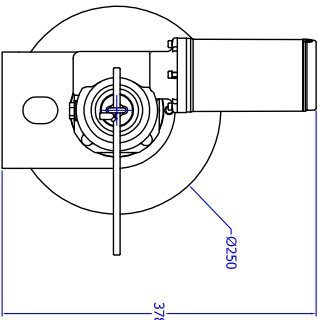
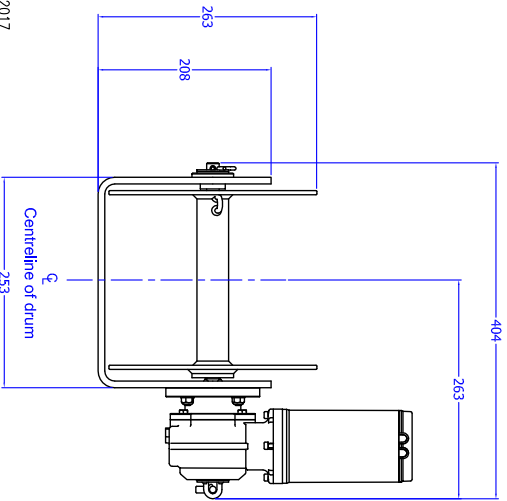




The gearbox mounting holes in the mounting bracket allow the motor and drive to be installed at 4 angles to suit different anchor well configurations. Another 8 adjustment angles are available at 20° and 45° from each of the basic 4 mounting holes.



Note: the release lever is shown as it is included with the product but is only placed on the winch in emergency situations.



© COPYRIGHT 2017
Stressfree Marine Pty.Ltd.

		TOLERANCES		SCALE		MATERIAL	
		Unless otherwise stated		Drawn R/R		316 Stainless Steel	
3	revise to remove motor/gearbox adaptor	21.4.17	NO DEC. ±	Checked		FINISH	Satin
2	revise to show 8mm thick Mounting Plate	26.4.16	1 DEC. Pl. ±	Design OK		DO NOT SCALE DIMENSIONS IN MILLIMETRES UNLESS OTHERWISE STATED	
1	revise to show manual over ride.	17.4.15	2 DEC. Pl. ±	Approved		NAME	Mini 50 Standard
Issue	Ref.	REVISION	Drawn	Apprv.	Date	DATE	DRAWING No.
						2/05/08	TBA
		ANGLES ±					
stressfree marine Pty Ltd®							

Stressfree Mini 50 Standard EW (Extra Wide)

Suitable for boats: up to 13.5ft – 26ft / 4-8m
Maximum boat weight: 2.5 tons

The Mini 50 EW Standard winch is designed to suit shallow anchor wells, and is robust and extremely fast.

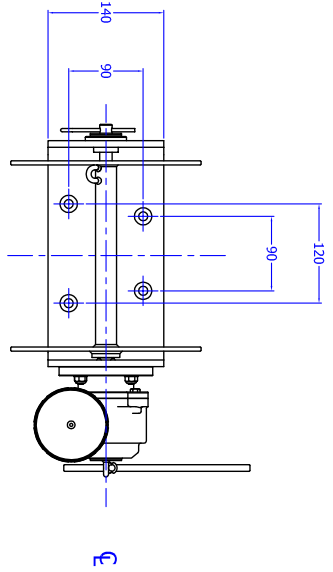
Product	Line Speed Max
Mini 50 Standard EW	170 feet per min. / 52 meters per min.
Baseplate	Diameter Drum
0.31" / 8mm pressed	9.05" / 230mm
Voltage	Gearbox
12v	50S
Motor power with High Torque	Emergency Manual Override
500watt	√
Shaft size	Winch Weight
0.98" / 25mm	48.50lbs / 18kgs



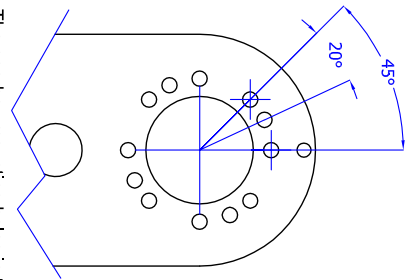
The Mini 50 Standard EW anchor winch also features:

- Adaptable fit and varied mounting options, with the ability to reset the gearbox and motor assembly in 8 different configurations to best suit your anchor well
 - Optional deck mounting
 - Premium quality Italian motor and gearbox
 - Waterproof 80amp circuit breaker with thermal overload cut-out
 - 50 series double anodised gearbox to prevent corrosion
 - Solid stainless steel drive shaft
 - Grease impregnated acetyl bush for superior performance
 - Constructed from 316 L grade marine stainless steel
 - Optional Pro-series guards upgrade
 - All rope and chain is powered on and off the drum
 - Optional waterproof wireless remote
 - 5-year warranty
- Drum capacity options:**
- o 75m of 8mm nylon spliced to 6m of short link chain
 - o 100m of 6mm double braid eye spliced to 5m of 8mm nylon spliced to 6 meters of 6mm short link chain

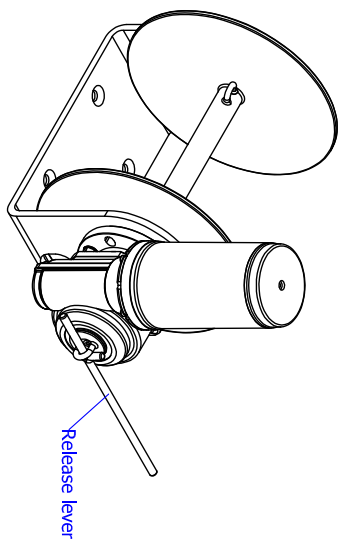
**Recommend dual batteries with the battery switch set to BOTH*



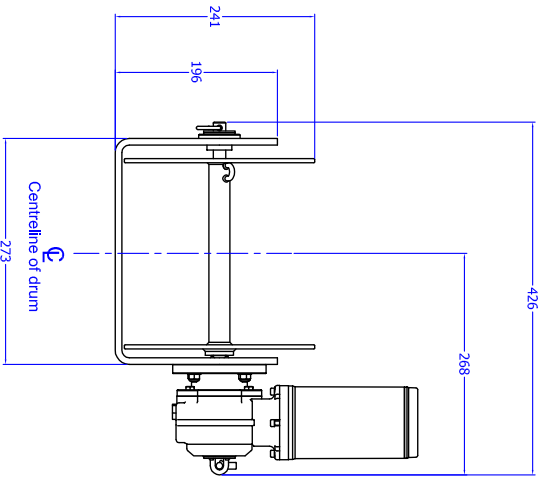
Centreline of drum



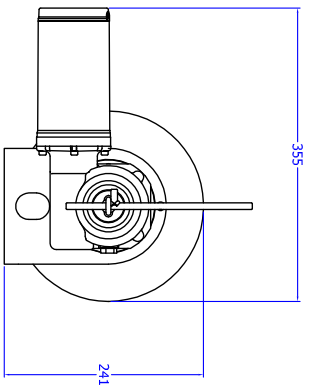
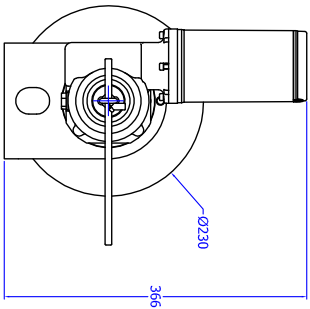
The gearbox mounting holes in the mounting bracket allow the motor and drive to be installed at 4 angles to suit different anchor well configurations. Another 8 adjustment angles are available at 20° and 45° from each of the basic 4 mounting holes.



Note: the release lever is shown as it is included with the product but is only placed on the winch in emergency situations.



Centreline of drum



© COPYRIGHT 2017
Stressfree Marine Pty.Ltd.

Issue	Ref.	REVISION	Drawn	Apprv.	Date	ANGLES ±	TOLERANCES	SCALE	MATERIAL	FINISH	DO NOT SCALE DIMENSIONS IN MILLIMETRES UNLESS OTHERWISE STATED	DRAWING No.
3		revise to remove motor/gearbox adaptor			21.4.17	NO DEC. ±	Unless otherwise stated	Drawn	316 Stainless Steel	Satin		TBA
2		revise to show 8mm thick Mounting Plate			25.5.16	1 DEC. PL. ±		Checked				
1		revise to show manual over ride.			17.4.15	2 DEC. PL. ± HOLE DIM. ±		Design OK Approved	stressfree marine Pty Ltd[®]	Mini 50 EW		

Stressfree Midi 50 Standard

Suitable for boats: up to 13.5ft – 26ft / 4-8m
Maximum boat weight: 2.5 tons

The Midi 50 Standard winch is strong, robust and extremely fast.

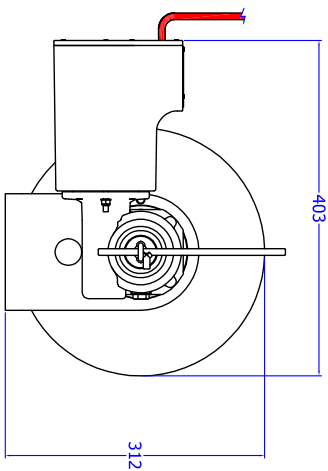
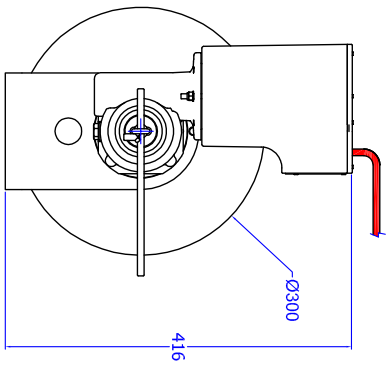
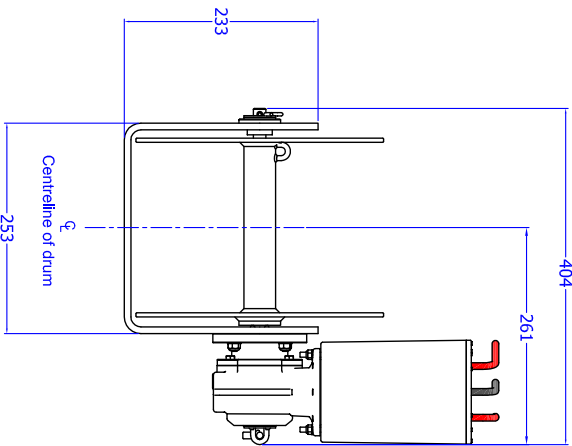
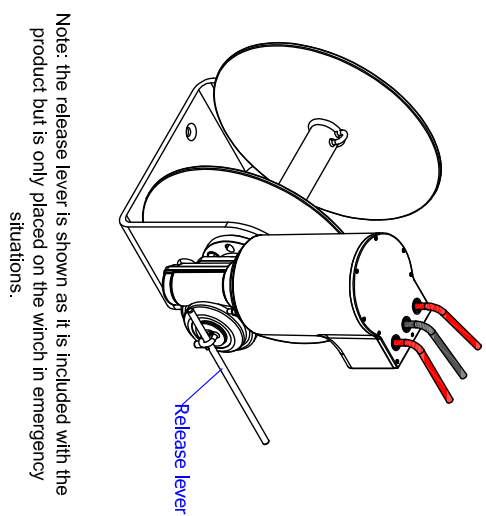
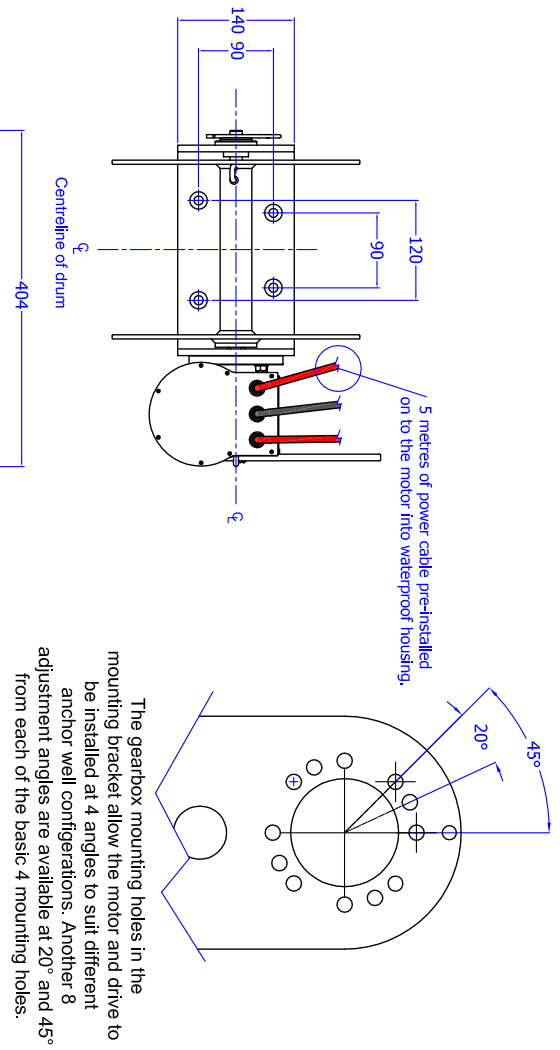
Product	Line Speed Max
Midi 50 Standard	243 feet per min. / 74 meters per min.
Baseplate	Diameter Drum
0.31" / 8mm pressed	11.81" / 300mm
Voltage	Gearbox
12v	50S
Motor power with High Torque	Emergency Manual Override
1400watt	√
Shaft size	Winch Weight
0.98" / 25mm	61lbs / 28kgs

The Midi 50 Standard anchor winch also features:

- Adaptable fit and varied mounting options, with the ability to reset the gearbox and motor assembly in 8 different configurations to best suit your anchor well
 - Optional deck mounting
 - Premium quality Italian motor and gearbox
 - Waterproof 135amp circuit breaker with thermal overload cut-out
 - 50 series double anodised gearbox to prevent corrosion
 - 1400watt Motor with Cover, sealed with 5 meters of cable
 - Solid stainless steel drive shaft
 - Grease impregnated acetyl bush for superior performance
 - Optional Pro-series guards upgrade
 - Constructed from 316 L grade marine stainless steel
 - All rope and chain is powered on and off the drum
 - Optional waterproof wireless remote
 - 5-year warranty
- Drum capacity options:**
- o 110m of 8mm nylon spliced to 8m of 8mm short link chain
 - o 200m of 6mm double braid eye spliced to 5m of 8mm nylon spliced to 8 meters of 8mm short link chain

**Recommend dual batteries with the battery switch set to BOTH*





© COPYRIGHT 2017
Stressfree Marine Pty Ltd.

		TOLERANCES Unless otherwise stated		SCALE		MATERIAL		FINISH		DO NOT SCALE DIMENSIONS IN MILLIMETRES UNLESS OTHERWISE STATED		DRAWING No.	
		Unless otherwise stated		R/R		316 Stainless Steel		Satin				TBA	
3		revise to include motor cover		11.4.17	NO DEC. ±	Checked							
2		revise to show 8mm thick Mounting Plate		30.4.16	1 DEC. Pl. ±	Design OK							
1		revise to show manual over ride.		17.4.15	2 DEC. Pl. ± HOLE DIM. ± ANGLES ±	Approved							
Issue	Ref.	REVISION		Drawn	Apprv.	DATE							
						2/05/08				stressfree marine Pty Ltd®			

Stressfree Maxi Standard

Suitable for boats: up to 19.5ft – 40ft / 6-12m
Maximum boat weight: 5 tons

The Maxi Standard winch is strong, robust and super-fast, and has a patented freefall of up to 5 times faster than competing winches.

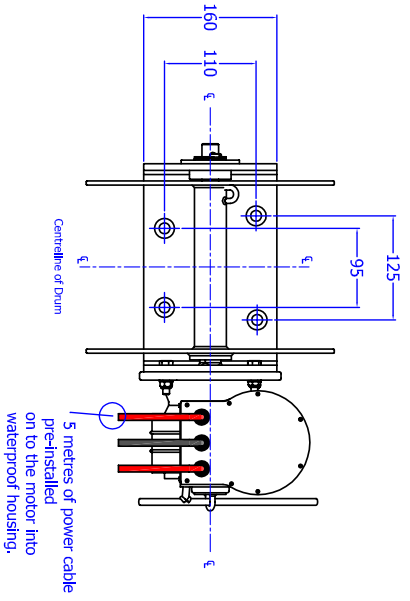
Product	Line Speed Max
Maxi Standard	243 feet per min. / 74 meters per min.
Baseplate	Diameter Drum
0.31" / 8mm welded	11.81" / 300mm
Voltage	Gearbox
12v	63S
Motor power with High Torque	Emergency Manual Override
1400watt	√
Shaft size	Winch Weight
1.25" / 32mm	86lbs / 39kgs

The Maxi Standard anchor winch also features:

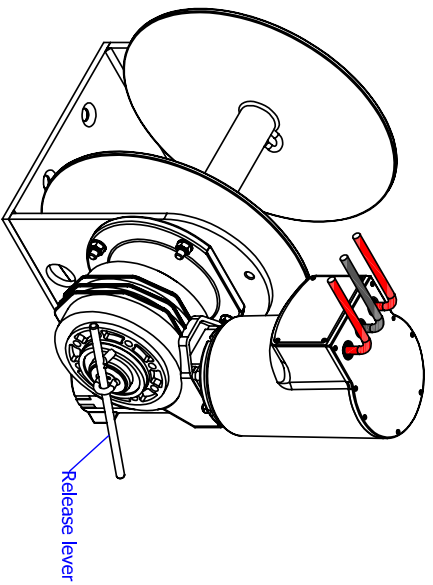
- Adaptable fit and varied mounting options, with the ability to reset the gearbox and motor assembly in 8 different configurations to best suit your anchor well
- Optional deck mounting
- Premium quality Italian motor and gearbox
- Waterproof 135amp circuit breaker with thermal overload cut-out
- 63 series gearbox
- 1400watt Motor with Cover, sealed with 5 meters of cable
- Solid stainless steel drive shaft
- Grease impregnated acetyl bush for superior performance
- Optional Pro-series guards upgrade
- Constructed from 316 L grade marine stainless steel
- All rope and chain is powered on and off the drum
- Optional waterproof wireless remote
- 5-year warranty
- **Drum capacity options:**
 - o 85m of 10mm nylon spliced to 8m of 8mm short link chain
 - o 100m of 8mm double braid eye spliced to 5m of 10mm nylon spliced to 8m of 8mm short link chain

**Recommend dual batteries with the battery switch set to BOTH*

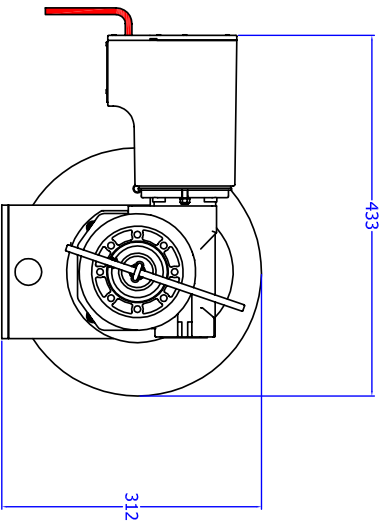
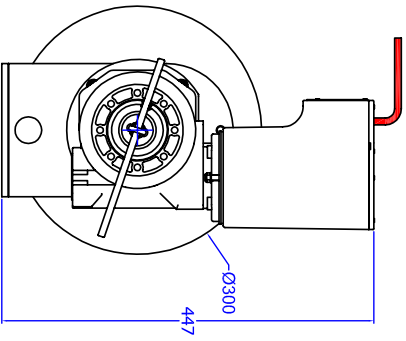
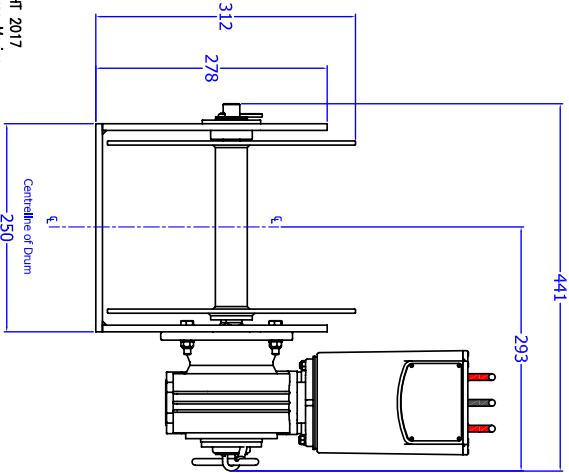




The gearbox mounting holes in the mounting bracket allow the motor and drive to be installed at 4 angles to suit different anchor well configurations. Another 8 minor angle adjustments are available between the gearbox and gearbox flange.



Note: the release lever is shown as it is included with the product but is only placed on the winch in emergency situations.



© COPYRIGHT 2017
Stress Free Marine.

TOLERANCES Unless otherwise stated		SCALE		MATERIAL		FINISH		DO NOT SCALE DIMENSIONS IN MILLIMETRES UNLESS OTHERWISE STATED		DRAWING No.	
NO DEC. ±		Drawn		316 Stainless Steel		Linished				TBA	
1 DEC. PL. ±		Checked									
2 DEC. PL. ±		Design OK									
HOLE DIM. ±		Approved									
ANGLES ±		DATE									
		19.4.17									
		Date									
		Appr.									
		Drawn									
		REVISION									
		Add plastic motor housing and Smetres of cable									
		Issue									
		Ref.									
		1									

Stressfree Mighty Standard

Suitable for boats: up to 19.5ft – 40ft / 6-12m
Maximum boat weight: 5 tons

The Mighty Standard winch is strong, robust and super-fast, and has a patented freefall of up to 5 times faster than competing winches.

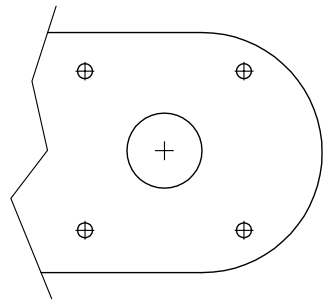
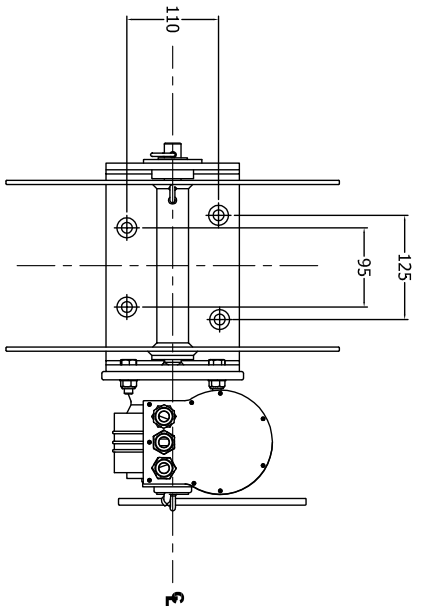
Product	Line Speed Max
Mighty Standard	326 feet per min. / 99.5 meters per min
Baseplate	Diameter Drum
0.31" / 8mm welded	15.75" / 400mm
Voltage	Gearbox
12v or 24v	63S
Motor power with High Torque	Emergency Manual Override
1700watt	√
Shaft size	Winch Weight
1.25" / 32mm	97lbs or 44kgs

The Mighty Standard anchor winch also features:

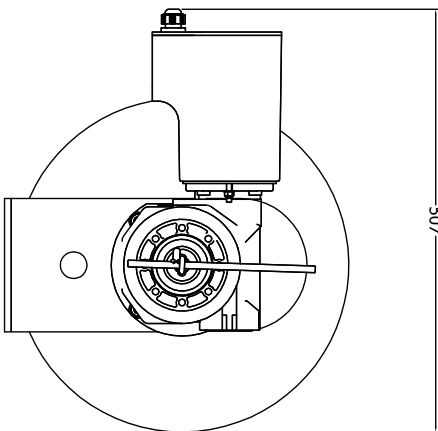
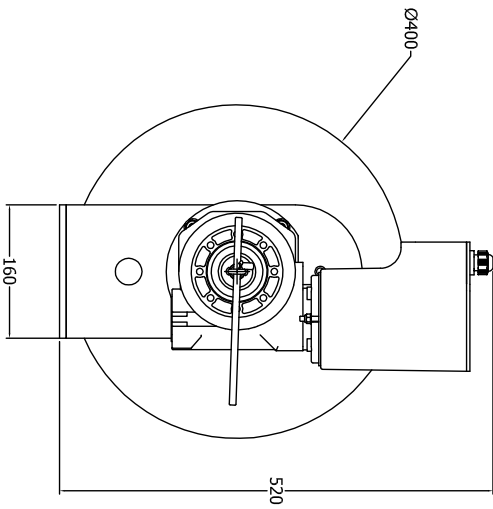
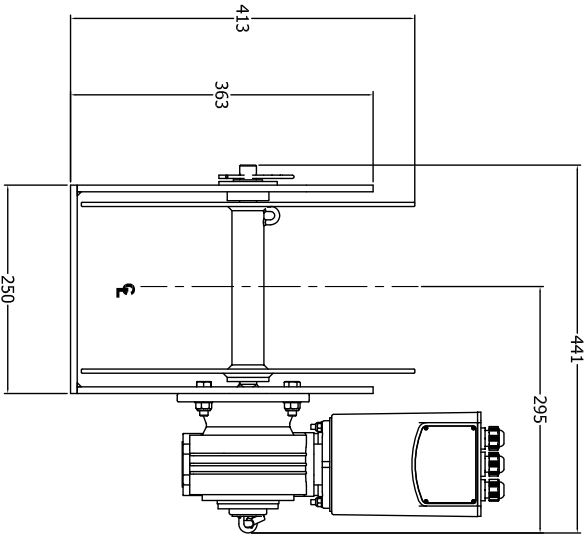
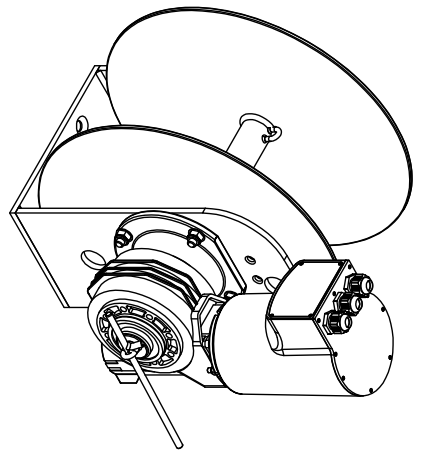
- Adaptable fit and varied mounting options, with the ability to reset the gearbox and motor assembly in 8 different configurations to best suit your anchor well
- Optional deck mounting
- Premium quality Italian motor and gearbox
- Waterproof 135amp circuit breaker with thermal overload cut-out
- 63 series gearbox
- Solid stainless steel drive shaft
- Grease impregnated acetyl bush for superior performance
- Constructed from 316 L grade marine stainless steel
- All rope and chain is powered on and off the drum
- Optional waterproof wireless remote
- 5-year warranty
- **Drum capacity options:**
 - o 165m of 8mm double braid eye spliced to 5m of nylon spliced to 8m of 8mm short link chain
 - o 130m of 10mm nylon spliced to 8m of 8mm short link chain
 - o 100m of 12mm nylon spliced to 8m of 8mm short link chain

**Recommend dual batteries with the battery switch set to BOTH*





The gearbox mounting holes in the mounting bracket allow the motor and drive to be installed at 4 angles to suit different anchor well configurations. Another 8 minor angle adjustments are available between the gearbox and gearbox flange.



© COPYRIGHT 2008
Stressfree Marine Pty. Ltd.

TOLERANCES Unless otherwise stated		SCALE		MATERIAL		FINISH		DO NOT SCALE DIMENSIONS IN MILLIMETRES UNLESS OTHERWISE STATED		DRAWING No.	
NO DEC. ±		Drawn		316 Stainless Steel		Chemically Polished				SF02049	
1 DEC. PL ±		Checked									
2 DEC. PL ±		Design OK									
HOLE DIM. ±		Approved									
ANGLES ±		DATE									
		2/05/08									
Issue		Date		NAME		MATERIAL		FINISH		DRAWING No.	
2		1.5.15		Mighty Anchor Winch Layout		316 Stainless Steel		Chemically Polished		SF02049	
Rev.		Date		NAME		MATERIAL		FINISH		DRAWING No.	
Revision		Date		Mighty Anchor Winch Layout		316 Stainless Steel		Chemically Polished		SF02049	
2		1.5.15		Mighty Anchor Winch Layout		316 Stainless Steel		Chemically Polished		SF02049	
Rev.		Date		NAME		MATERIAL		FINISH		DRAWING No.	
2		1.5.15		Mighty Anchor Winch Layout		316 Stainless Steel		Chemically Polished		SF02049	

Stressfree Custom Anchor Winches

Suitable for boats:

ranging from 32-98 ft / 10-30m

Our custom built winches can be engineered with a range of functionality and features, depending upon your boat size, type and uses.

We can customise the:

- Motor Power
- Voltage
- Gearbox
- Shaft size
- Baseplate
- Drum Diameter
- Line Speed
- Weight

All Stressfree Marine custom built anchor winches feature:

- Varied mounting options for installation, depending on your anchor well configuration
- Baseplate made from a superior satin finish 316L marine grade stainless steel
- Solid stainless steel drive shaft
- Grease impregnated acetyl bush for superior performance
- Double anodised gearbox to prevent corrosion and stronger
- Optional Pro-series guards upgrade
- Optional waterproof wireless remote

Product	Line Speed Max
Custom Winch: built to individual specs	Depending on diameter of drum
Baseplate	Diameter Drum
0.47" / 12mm welded	According to specs
Voltage	Gearbox
12v or 24v	Double reduction - gearbox will vary according to specs of the boat
Motor power with High Torque	Emergency Manual Override
2300 watt	√
Shaft size	Winch Weight
Variable - According to specs	Weight will be determined according to specs



Stressfree Long Line Winches

For the growing interest in professional use winches, we also offer the Stressfree Marine Long Line Winch.

Our Long Line Winch is suited to professional fishing, but is also growing in demand from serious recreational boat owners too. We offer a range of motor options, depending upon your usage, as well as a host of additional features.

Contact Stressfree Marine today to for pricing details.

Australia: 08 8382 5283

International: +61 8 8382 5283

Motor Power (options)	Line Speed (maximum)
1400 watt, 12 volt 1700 watt, 12 or 24 volt 2300 watt, 12 or 24 volt	326 feet per min. / 99.5 meters per min
Baseplate	Drum Capacity
8mm welded	8202 ft / 2.5 km 2.5 mono line
Shaft size	Gearbox
1.25" / 32mm	63 Series
Diameter Drum	Emergency Manual Override
11.81" / 300mm 15.7" / 400mm	√

The Stressfree Marine Long Line winches additionally feature:

- Availability in the NG Maxi Freefall or NG Mighty Freefall ranges
- An Italian motor and gearbox
- A fully waterproof control box
- Superior satin finish 316L marine grade stainless steel.
 - o 8mm welded base plate, 8mm drum and 76mm diameter thick walled drum centre
- Rating to 135 amps
- Motors fitted with a breather, for a cooling effect
- Optional manual freefall
- Optional air foot switch
- Can be custom built to suit individual specifications



Stressfree Trailer Winches

Our Stressfree Marine Trailer Winches have massive power to ease your boat into the water during launch, and can winch your boat onto your trailer during recovery.

For ease of use, our wireless remote helps you to operate the winch, and easily transforms your Trailer Winch to a hands free one-person operation – no more aching arms, shoulders and back.

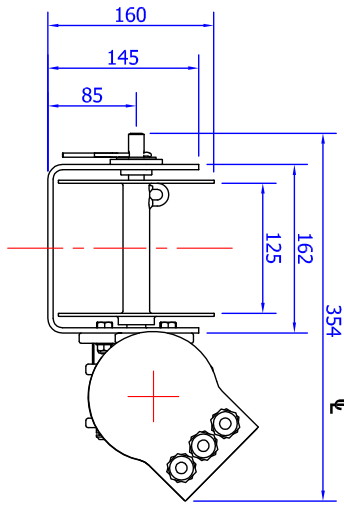
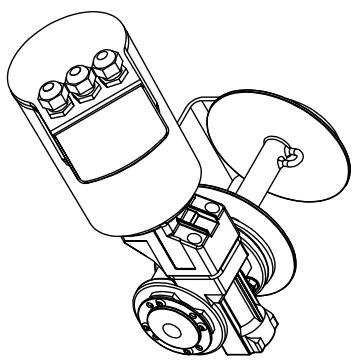
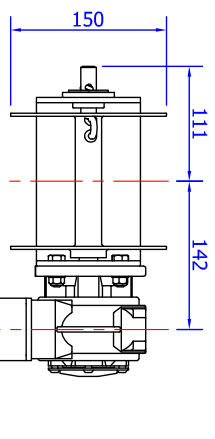
Our heavy duty Trailer Winches have a pulling capacity of 5500lbs / 2500kg and can be fitted to any trailer.

Alternately, consider the Stressfree Marine Trailer Winch for non-marine hauling and lifting under 5500lbs / 2500kg.

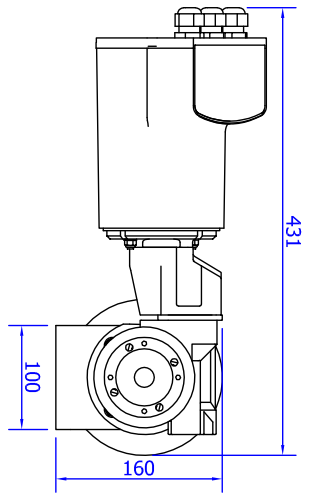
Stressfree Marine Trailer Winch – Key Features

- Italian motor and gearbox
- 1400watt motor with optional cover and cable
- Fully waterproof control box and battery leads
- Easy installation
- Wireless remote control included
- Line speed of 45 feet/minute
- Made from 316 marine grade stainless steel

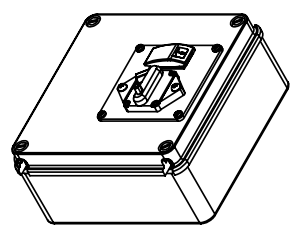




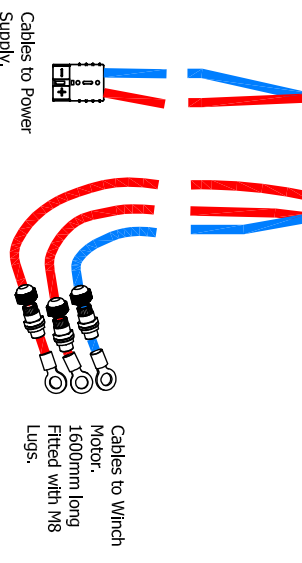
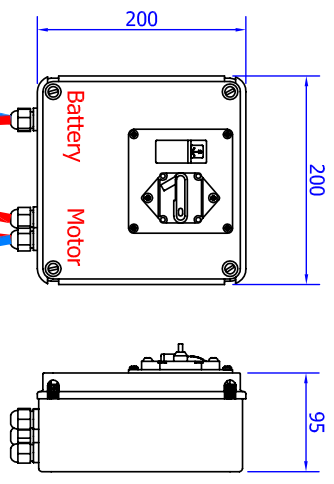
Trailer Winch 1400W



Trailer Winch 1400W



Weatherproof Control Box



Cables to Power Supply, 1700mm long Fitted with Anderson Plug

Cables to Winch Motor, 1600mm long Fitted with M8 Lugs.

© Stressfree Marine Pty Ltd COPYRIGHT 2017

1	Add text to housing to show winch connection to which	Rob	12.3.15	TOLERANCES Unless otherwise stated		SCALE	MATERIAL	FINISH	DO NOT SCALE DIMENSIONS IN MILLIMETRES UNLESS OTHERWISE STATED	DRAWING No.
2	Modify the drawing to show Plastic Motor Cover	Rob	26.17	NO DEC. ± 1 DEC. PL. ± 2 DEC. PL. ± HOLE DIAM. ± ANGLES ±	Drawn	Rob				
Issue	Ref.	DESIGN	Drawn	Apprv.	Date	Checked Design OK	Approved	DATE	NAME	
		REVISION						18/11/14	Trailer Winch 1400W	SF02186

Stressfree Marine Pty Ltd®



Stressfree Heavy Duty Pot Hauler

The Stressfree Marine Heavy Duty Pot Hauler has been designed to sustain a hard workout.

Manufactured to the highest quality standards using marine grade stainless steel, and featuring an Italian motor and Gearbox. This unit has been tested and proven to lift and haul with minimal effort. The Heavy Duty Pot Hauler has particularly been designed to minimise the struggle required to haul heavy crayfish pots, crab pots and long lines.

The unit needs to be mounted in a structurally sound part of the vessel where you can gain access to strengthen the underside of the gunwale, install the rod holder and secure the base either to the deck or side pocket to create a very solid mount.

Simply sleeve the base of the Heavy Duty Pot Hauler into the rod holder, secure with the locking pin, plug into the power source and you are ready for action.

The Stressfree Marine Heavy Duty Pot Hauler is rated to lift 220lbs / 100kg on spinner and 440lbs / 200kg on capstan head for a slower, more controlled lift.

Stressfree Marine Heavy Duty Pot Hauler - Key features:

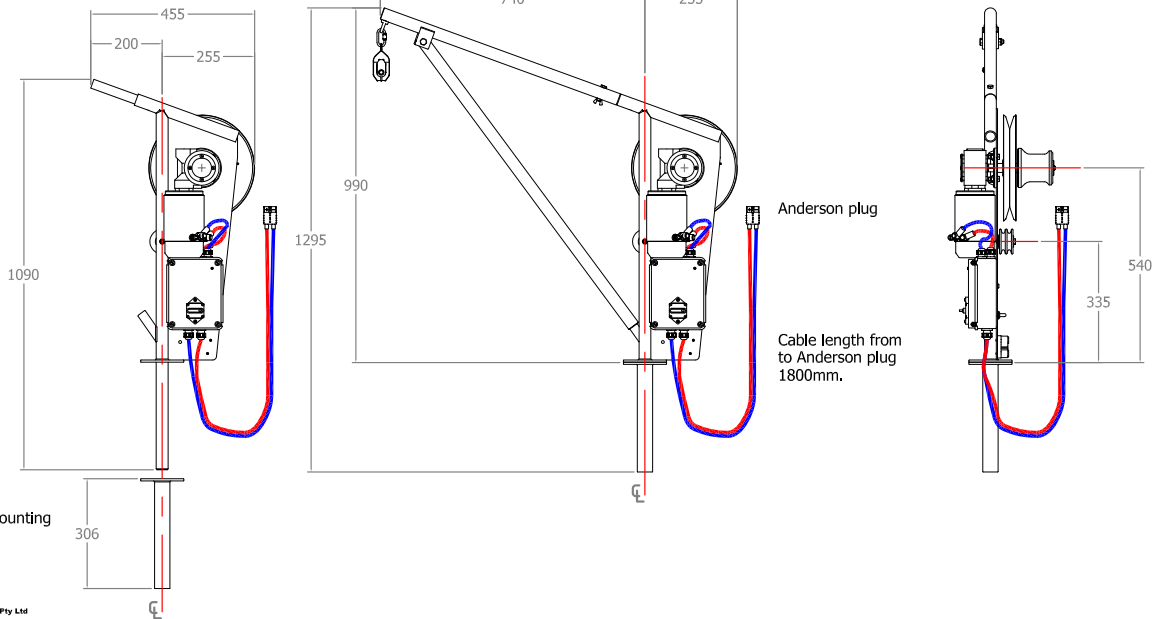
- A collapsible frame for quick folding and storing with a capstan head on the spinner to enable, slower, more controlled lifts when hauling heavier loads.
- 4 locking positions
- Easy, one-person operation
- Supplied wired and with a straight rod holder
- Easy installation, transport and storage, with a collapsible frame
- Spinner lifting speed: 243 feet per minute / 74 metres per minute
- Capstan lifting speed: 98 feet/minute / 30 metres/minute
- Marine grade stainless steel frame



Heavy Duty POT HAULER
General overall dimensions

HD POT HAULER
WITH JIB

HD POT HAULER
MINUS JIB



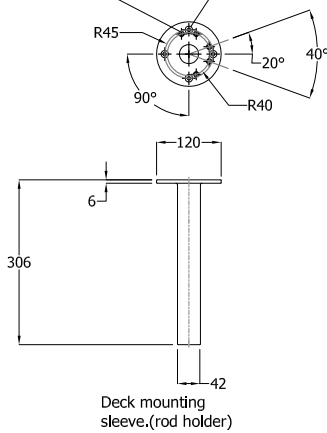
© COPYRIGHT 2013
Stressfree Marine Pty Ltd

				TOLERANCES Unless otherwise stated NO DEC. ± 1 DEC. PL ± 2 DEC. PL ± HOLE DIAM. ± ANGLES ±		SCALE Drawn Checked Design OK Approved DATE 2/04/2013		MATERIAL		FINISH		DO NOT SCALE DIMENSIONS IN MILLIMETRES UNLESS OTHERWISE STATED			
Stressfree Marine Pty Ltd®										NAME Heavy Duty Pot Hauler Page 1 of 2		DRAWING No. SF02797			
Issue	Ref.	REVISION	Drawn	Apprv.	Date										

Heavy Duty POT HAULER
General overall dimensions

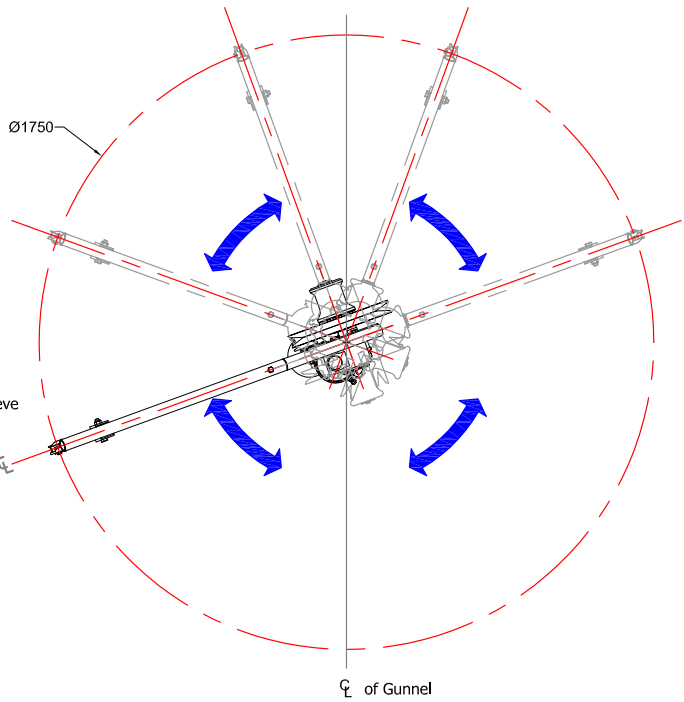
5 holes $\varnothing 8$ with 1mmx45° Chamfer

4 holes $\varnothing 7$ with 3.5mmx45° Chamfer



Deck mounting sleeve.(rod holder)

The 5 pinning holes in the mounting sleeve allows the unit to be rotated through 360 degrees and pinned in position.



© COPYRIGHT 2013
Stressfree Marine Pty Ltd

				TOLERANCES Unless otherwise stated NO DEC. ± 1 DEC. PL ± 2 DEC. PL ± HOLE DIAM. ± ANGLES ±		SCALE Drawn Checked Design OK Approved DATE 25/01/13		MATERIAL		FINISH		DO NOT SCALE DIMENSIONS IN MILLIMETRES UNLESS OTHERWISE STATED			
Stressfree Marine Pty Ltd®										NAME Heavy Duty Pot Hauler Page 2 of 2		DRAWING No. SF02797			
Issue	Ref.	REVISION	Drawn	Apprv.	Date										

Stressfree Pot Lifter

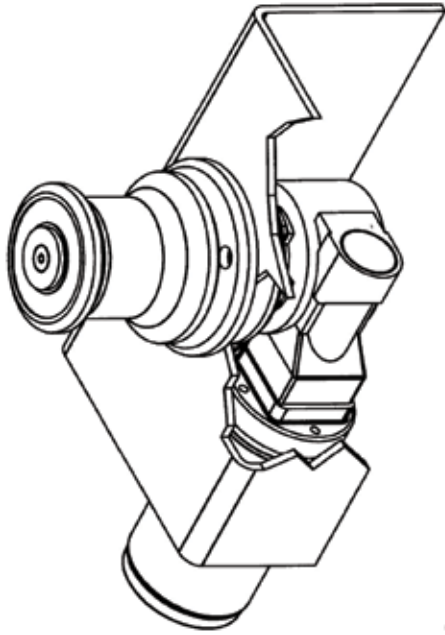
The Stressfree marine Pot Lifter is an extremely versatile vertical capstan or general purpose electric winch, for use as a pot hauler, anchor winch or davit winch.

The compact, fully sealed gearbox is driven by a high torque Italian Motor.

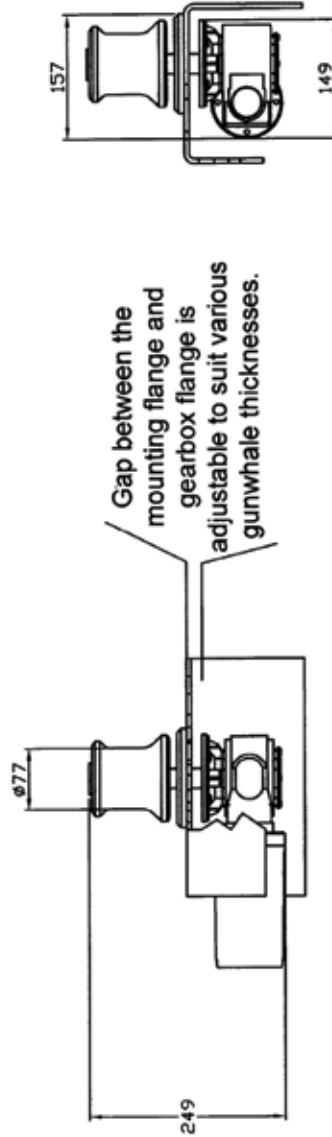
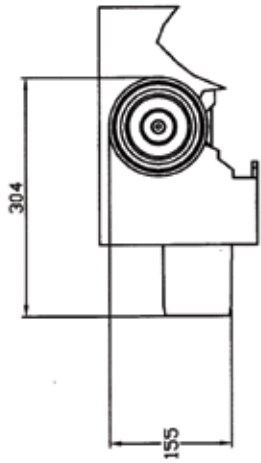
Stressfree Marine Pot Lifters – Key Features

- Easy to set-up and use
- 500-watt high torque Italian motor
- Fits into the gunwale of most boats
- Lifting capacity of 770 pounds / 350 kilograms
- Lifting Speed: 98 feet/minute / 30 metres/minute
- Comes complete with foot switch, solenoid and mounting bolts
- Optional stainless steel arm that folds back inside your boat





Section of gunwhale cut away to show the general arrangement of the pot lifter when installed.



© COPYRIGHT 2008

Issue	Ref.	Drawn	Appn.	Date	REVISION	DATE	APPROVED	DESIGN OK	SCALE	R/R	MATERIAL	FINISH	DO NOT SCALE DIMENSIONS IN MILLIMETRES UNLESS OTHERWISE STATED	DRAWING No.
						2/05/08		Checked	Drawn		Polyurathane & 316 Stainless Steel	Chemically Polished		
<p>TOLEANCES Unless otherwise stated</p> <p>NO DEC. ±</p> <p>1 DEC. PL ±</p> <p>2 DEC. PL ±</p> <p>HOLE DIA. ±</p> <p>ANGLES ±</p>											<p>NAME</p> <p>stressfree marine Pty Ltd</p>		<p>Pot Lifter</p>	

Stressfree Deep Sea Fishing Reel

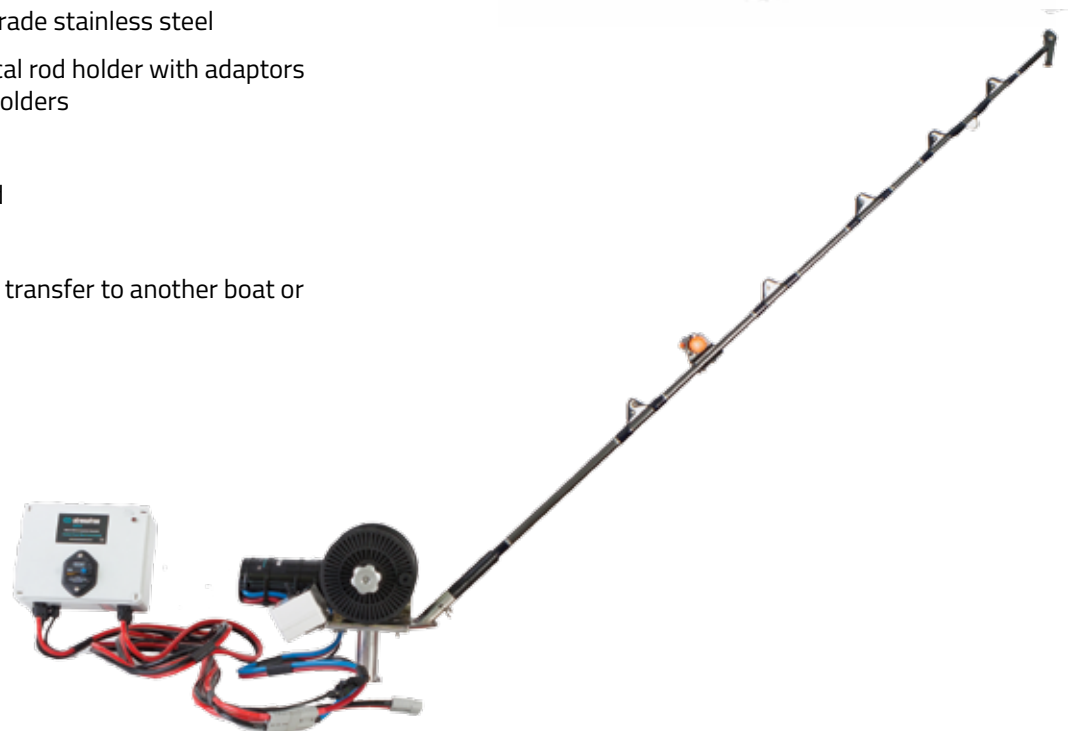
Equip your boat with a Stressfree marine Deep Sea Fishing reel for a greater fishing experience. Our Fishing Reel is a great compliment to our range, for serious boat owners who are serious about their deep sea fishing experience.

The Deep Sea Fishing Reel is optimised for trawling for large fish, such as Tuna, Marlin, and Spanish Mackerel. It also makes chasing bottom feeding fish like Blue Eye, Kingfish, and Harpooka easier.

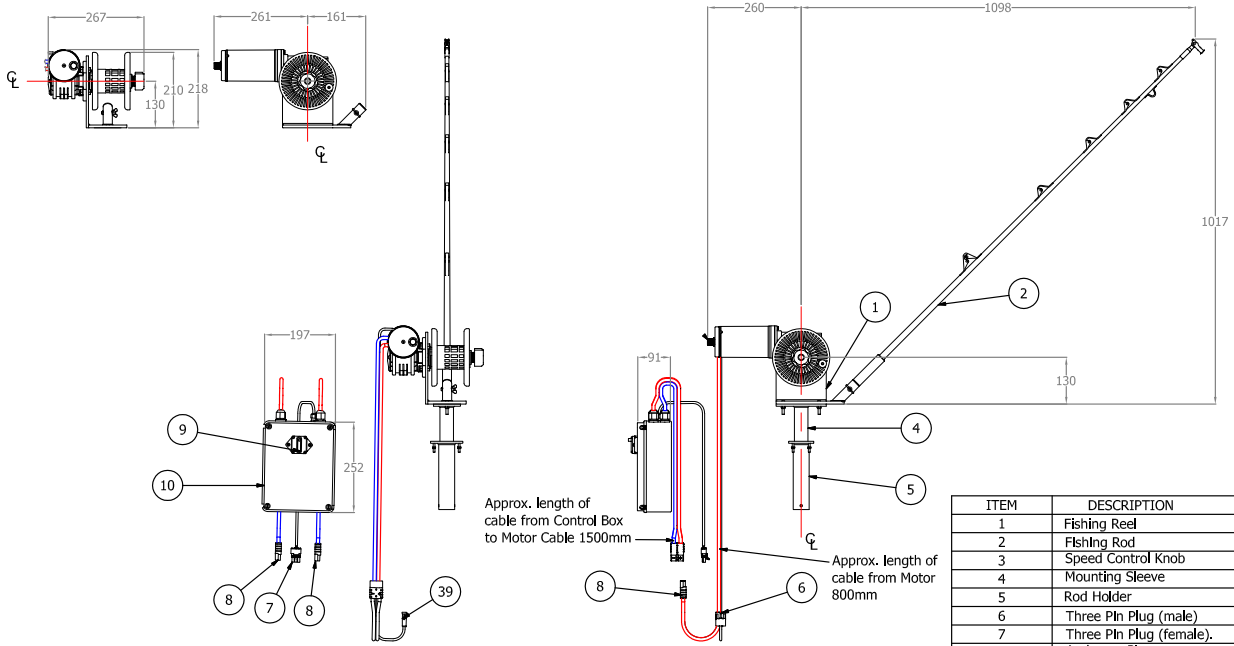


Deep Sea Fishing Reel – Key Features

- Capacity to hold up to 200 lbs / 1000metres / of braid fishing line
- Retrieval speed (under load) of 120 – 150 feet per minute
- Retrieval speed (no load) of 150 – 2000 feet per minute
- Lifting capacity of 330lbs / 150kg
- Retrieval rate 150 – 200 feet per minute
- Fully adjustable drag system (drag washers easily changed)
- Fitted with a 2-speed toggle switch
- Made from 316 marine grade stainless steel
- Fits into a standard vertical rod holder with adaptors available for angled rod holders
- Can be deck mounted
- Supplied with an 80lb rod
- Fully waterproof
- Can be easily removed to transfer to another boat or for storage



Fishing Reel Minus Rod and Mounting Components.

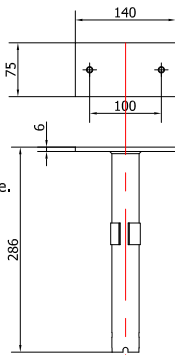


ITEM	DESCRIPTION
1	Fishing Reel
2	Fishing Rod
3	Speed Control Knob
4	Mounting Sleeve
5	Rod Holder
6	Three Pin Plug (male)
7	Three Pin Plug (female).
8	Anderson Plug
9	Circuit Breaker
10	Control Box

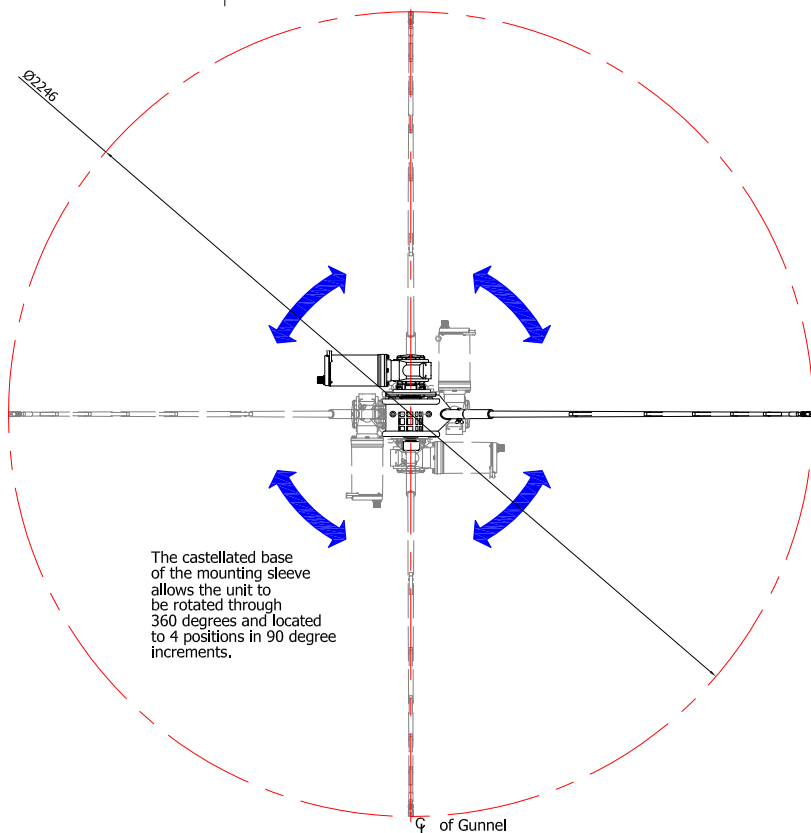
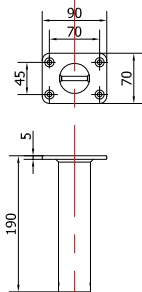
©COPYRIGHT 2013
Stressfree Marine Pty Ltd

TOLERANCES					SCALE	MATERIAL	FINISH	DO NOT SCALE	DRAWING No.
Unless otherwise stated					Drawn			DIMENSIONS IN MILLIMETRES	
					Checked			UNLESS OTHERWISE STATED	
					Design OK				
					Approved				
					DATE	5/06/2013			
Stressfree Marine Pty Ltd®							NAME Stressfree Fishing Reel		
							Layout		Page 1 of 2

Reel Mounting Sleeve.
Bolts to the bottom
of the reel base, and
inserts into the Rod
Holder.



Rod Holder.
Bolts to gunnel.



The castellated base
of the mounting sleeve
allows the unit to
be rotated through
360 degrees and located
to 4 positions in 90 degree
increments.

©COPYRIGHT 2013
Stressfree Marine Pty Ltd

TOLERANCES					SCALE	MATERIAL	FINISH	DO NOT SCALE	DRAWING No.
Unless otherwise stated					Drawn			DIMENSIONS IN MILLIMETRES	
					Checked			UNLESS OTHERWISE STATED	
					Design OK				
					Approved				
					DATE	5/06/2013			
Stressfree Marine Pty Ltd®							NAME Stressfree Fishing Reel		
							Layout		Page 2 of 2

Stressfree Custom Products

Scope of our winch projects are not limited to the marine environment. With all engineering and fabrication completed on-site at the Stressfree Marine Head Office in South Australia, we are able to custom make a product to suit your needs. There are no limitations on your end product – once our Engineering team discuss the details and expectation with you, we can quote on the project.

The following examples show a cross-section of applications for our winching systems:

- Sample collection down mine shafts
- Lifting cameras up and down to take images below the surface
- Transferring bee hives to new locations
- Lifting heavy equipment on and off trucks
- Lifting large filters in and out of a wash bay in a large industrial/chemical facility
- Removal and replacement of pool covers on Olympic sized pools
- Lowering and raising chandeliers in Heritage listed Government buildings, for cleaning and maintenance
- Mackerel Line Hauler
- Custom made Pot Haulers



*There are no limitations on
your end product*



Stressfree Accessories

Pro-series Guards

The Pro-series stainless steel guards are polished to a mirror finish and fitted between the drum and the frame to eliminate any risk of an entrapment caused by an overrun. The guards make a great visual statement, and are available to fit on new and/or after market purchases.



Wireless Remote

The wireless remote is a small hand held device, used for operating the controls of your winch, simply by activating the switch. Our Wireless Remotes have a range of 164ft / 50 meters. This hand held device is fully water proof, can be held operated or attached to a lanyard.

Anchor Swivel

The Stressfree Marine Anchor Swivel rotates 360 degrees and takes the twists out of the rope so your anchor can right itself to lock into the bow sprit.

Anchor Swivel options available:

- Small rated to 1874 lbs / 850 kgs
- Large rated to 2755 lbs / 1250 kgs



Consider our range of accessories to complement your winch.

Rope and Chain Guides

If you are installing a Stressfree Marine anchor winch into the anchor well, we recommend a Rope and Chain Guide for ease of use. This is placed in front of the hatch opening.

Rope and Chain Guide options available:

- 4" anchor roller
- 6" anchor roller
- Hawse pipe (2 sizes)

Anchor Rollers

Consider an Anchor Roller for a stress-free way to drop and weigh your anchor to reduce friction and impact on your boat's surfaces. Our Anchor Rollers stops scuffing on the boat as the rope and chain tracks down from your bow sprit to spool on and off each side of the drum

Anchor Roller options available:

4" Anchor Roller – suits most situations

6" Anchor Roller – for boats where the distance between the hatch opening and the edge of the Stress Free drum is less than 7.8inches / 200mm



Hawse Pipes

Consider a Stressfree Marine Hawse Pipe to centre the line from the bow of the boat to the centre of the drum when:

- When your hatch opening is off centre
- When there is no access point to the drum
- When there is no hatch

Our Hawse Pipes are made from highly polished stainless steel tube, with a flared entry and a 30 degree bend that will suit most boats.



Stressfree Accessories

Wiring Looms

The Stressfree Marine ready-to-use Wiring Looming is set up, labelled, lugged and ready for plug in.



Chain Sock

A Stressfree Marine Chain Sock is a great way to minimise noise from your chain as it goes through the bow spirit, when fishing in shallow water.



Rope Kits

We offer a range of Rope kits to suit each of the Stressfree Marine winches.

Our Rope Kits come completely spliced and ready to spool onto the drum.



The following Rope Strength Comparison Table can help you to determine the best option, based on load size

Rope Strength Comparison Table – Break Load (approx.)

Rope Diameter	Rope Type		
	Silver <i>(not recommended)</i>	3 Strand Nylon	Double Braid
0.24" / 6mm	727 lbs / 330 kg	1653 lbs / 750 kg *	2204 lbs / 1000 kg *
0.31" / 8mm	1190 lbs / 540 kg	2976 lbs / 1350 kg *	3527lbs / 1600 kg *
0.39" / 10mm	1741 lbs / 790 kg	4585 lbs / 2080 kg *	4188 lbs / 1900 kg
0.47" / 12mm	2403 lbs / 1090 kg	6613 lbs / 3000 kg *	5732 lbs / 2600 kg
0.55" / 14mm	2976 lbs / 1350 kg	9038 lbs / 4100 kg *	6613 lbs / 3000 kg

***Manufacturer's recommendation: 3-Strand Nylon or Double Braid**

Silver Rope: 0.39" / 10mm or larger diameter silver is commonly used for anchorage particularly if manually pulling up the anchor as the larger diameter rope is kinder on the hands. With the advantage of an electric winch, you no longer have to manually handle the rope, therefore smaller diameter can be used. As you can see from the table above, the 0.39" / 10mm Silver has a breaking strain of 1741 lbs / 790 kg which is less than the 2204 lbs / 1000 kg break strain of 0.24" / 6mm double braid.

Double braid or braided ropes have become very popular. This rope is very strong, durable, lays well on our anchor winches, but on the flip side has no stretch and is not easy to splice.

To overcome this, Stressfree Marine braided ropes are eye spliced to a 5.47yd / 5 meter length of 3 strand nylon then the chain. Not only does this add stretch, it also takes the shock out of the rope and acts as a sacrificial rope which over time will wear and the 3 strand nylon can be easily spliced and replaced.

Super braid and spectra kits are also available. These are not off the shelf items, however they can be custom made to meet your requirements. See table above for break strain.

A swivel is always recommended between the chain and anchor.

This will assist to take the twist out of the rope on retrieval of the anchor.

***Australia's
premier anchor
winch specialists***

Tel: +61 8 8382 5283
Email: sales@stressfreemarine.com.au
www.stressfreemarine.com.au



stressfree
marine